

**BRICKFAIR**

Ages/edades

**8-99**

BF-GBC002

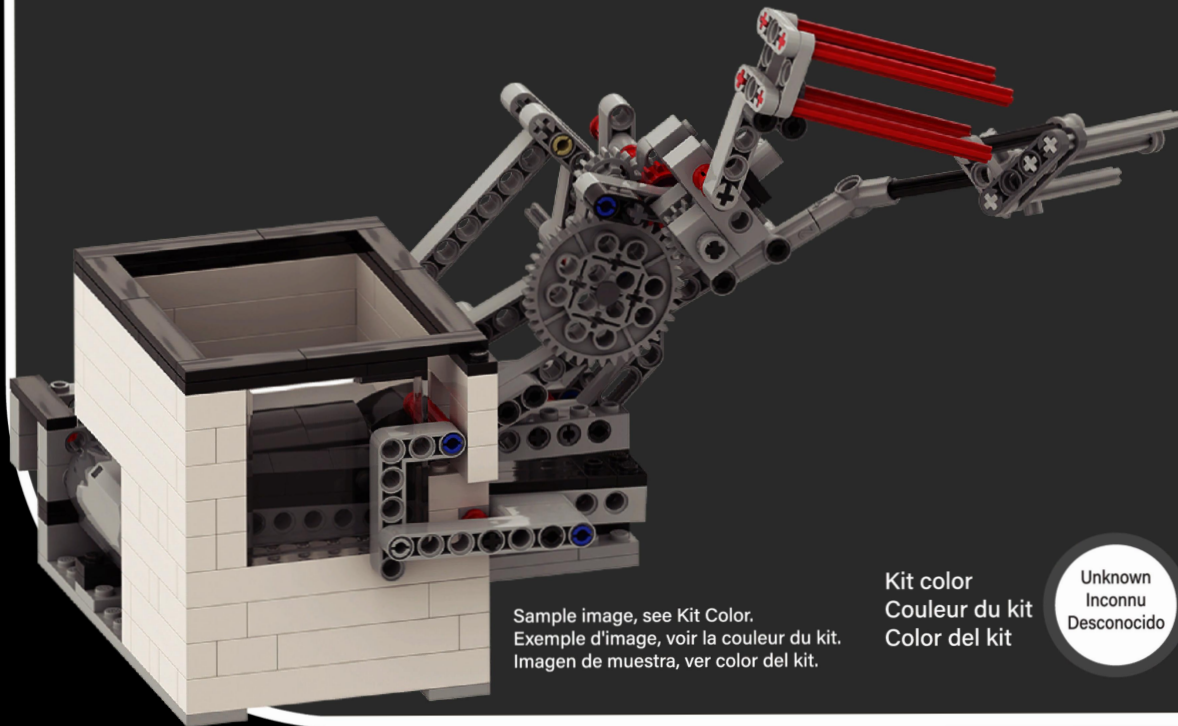
Compact Cardan Lift  
Cardan Lift compacto  
Élévateur à cardan  
compact

**308**  
pcs/pzs

Building Toy  
Jouet de construction  
Juguete para Construir

Designed by  
Conçu par  
Diseñado por  
**Lawrie George**

# GREAT BALL CONTRAPTION



Sample image, see Kit Color.  
Exemple d'image, voir la couleur du kit.  
Imagen de muestra, ver color del kit.

Kit color  
Couleur du kit  
Color del kit

Unknown  
Inconnu  
Desconocido

v1.9.4

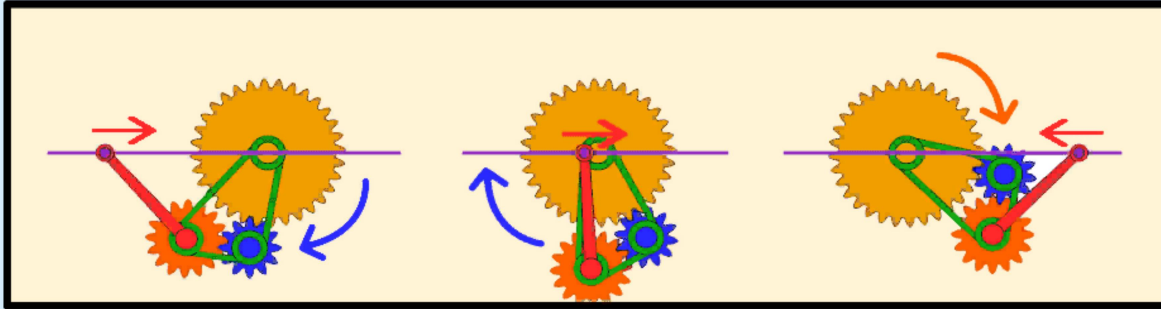
This kit was designed for BrickFair LEGO Fan Festival events.

Special thanks to Todd Webb, Stuart Roll and Tom Atkinson for the opportunity as well as Kc Ross and Brian Bell for testing and suggestions.

BrickFair is not affiliated with the LEGO Group. We just love their stuff.

Copyright 2019 Lawrie George  
Attribution-NonCommercial 4.0 International (CC BY-NC 4.0)  
<https://creativecommons.org/licenses/by-nc/4.0/>

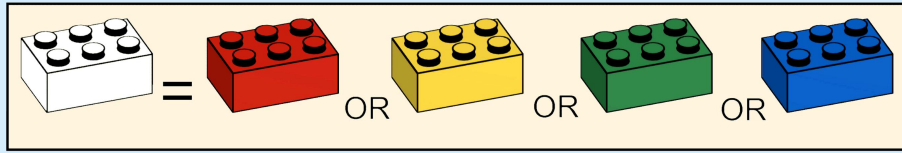




The cardan-gear mechanism invented by Girolamo Cardano in the 16th century is used to convert rotation motion to reciprocating linear motion without using linkages or slideways.

Le mécanisme à engrenages à cardans inventé par Girolamo Cardano au XVI<sup>e</sup> siècle est utilisé pour convertir le mouvement de rotation en mouvement linéaire alternatif sans utiliser de liaisons ou de glissières.

El mecanismo de engranaje cardan inventado por Girolamo Cardano en el siglo XVI se utiliza para convertir el movimiento de rotación en movimiento lineal alternativo sin utilizar enlaces o guías deslizantes.



14x  
3005, 5



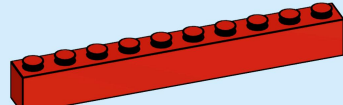
20x  
3004, 5



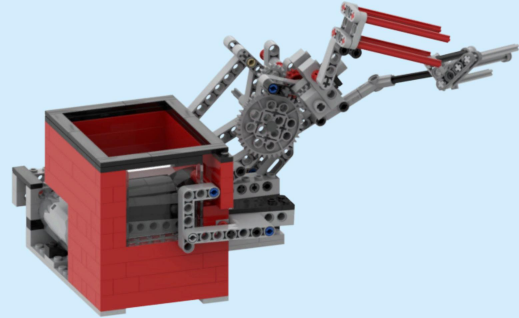
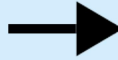
6x  
3002, 5



12x  
3009, 5



9x  
6111, 5



14x  
3005, 3



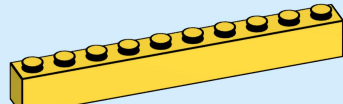
20x  
3004, 3



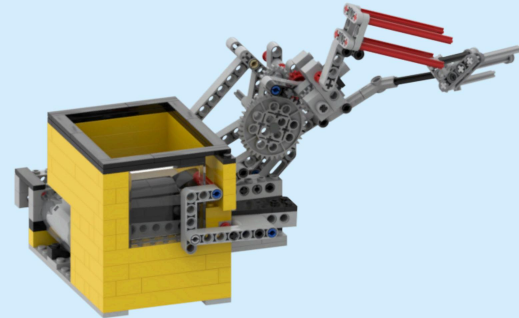
6x  
3002, 3

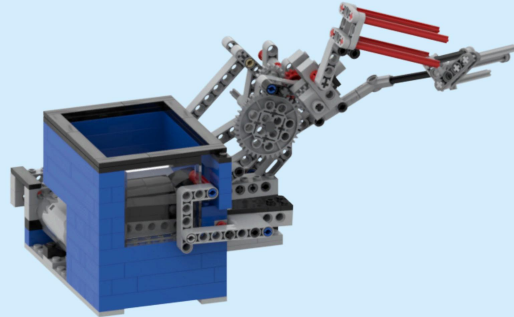
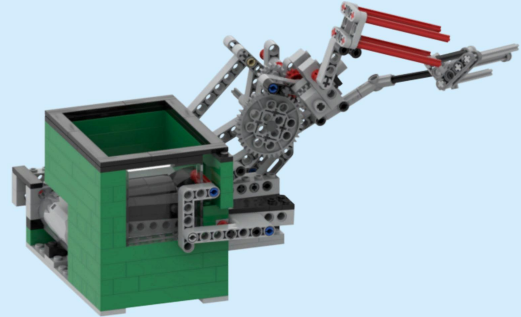
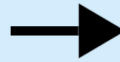
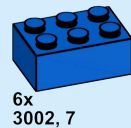
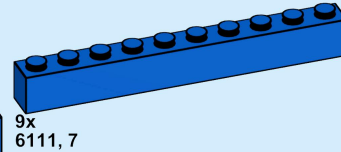
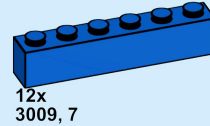
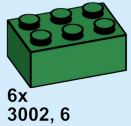
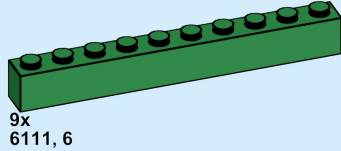
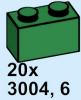
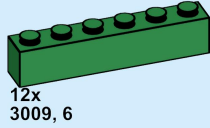
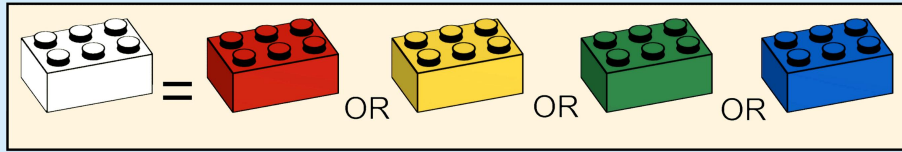


12x  
3009, 3

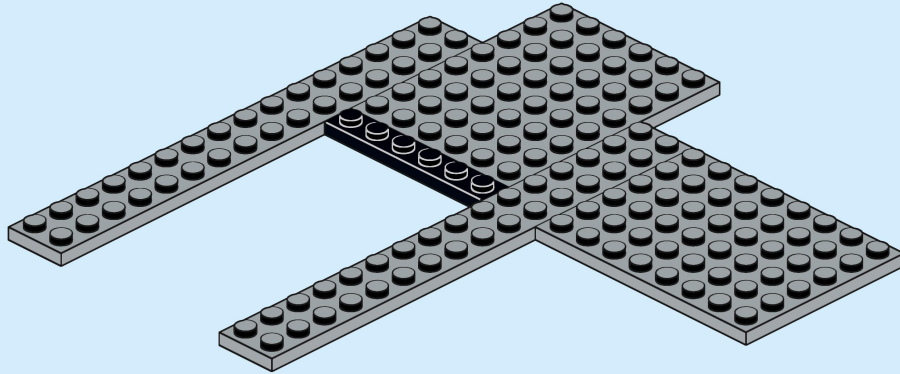
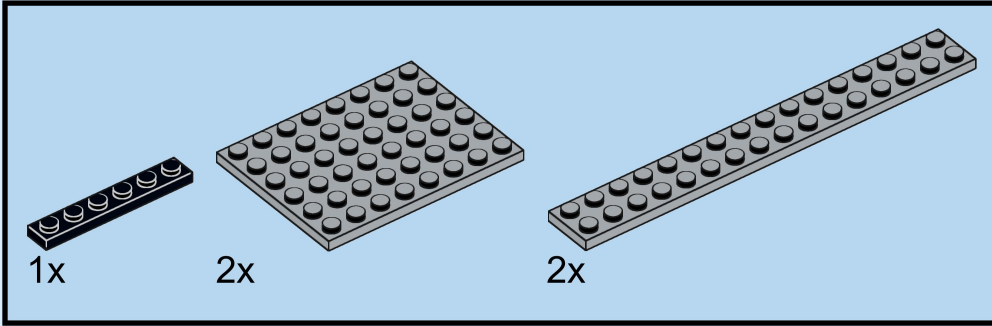


9x  
6111, 3

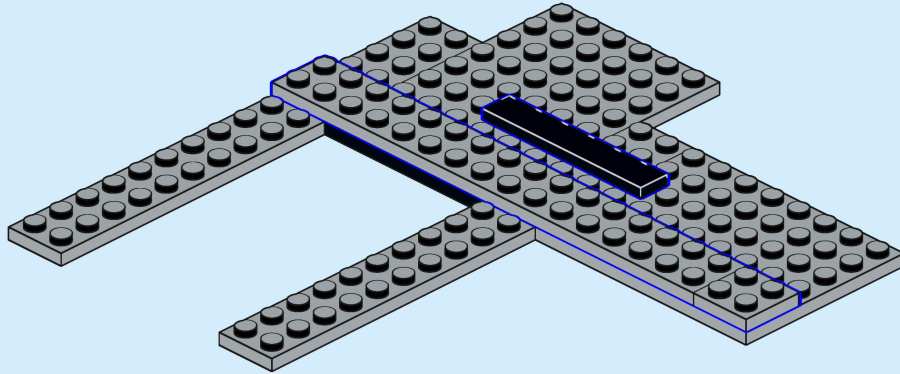
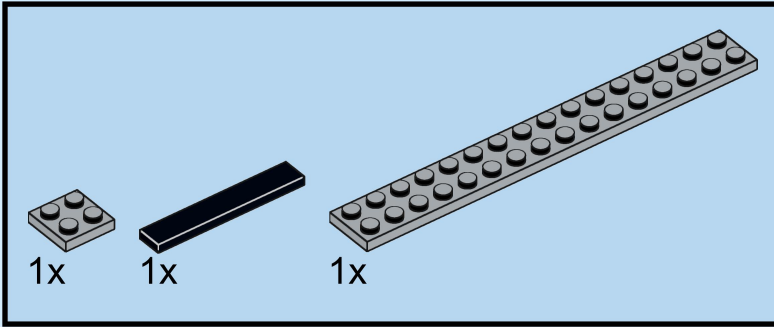




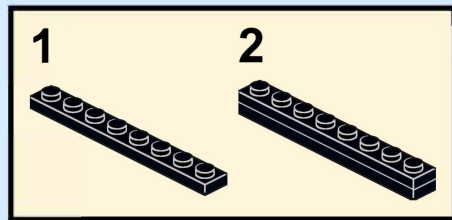
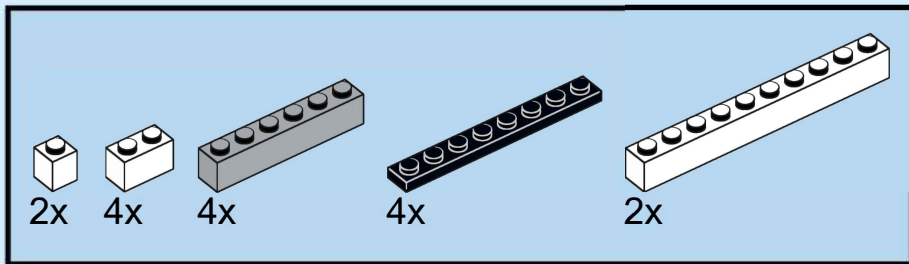
1



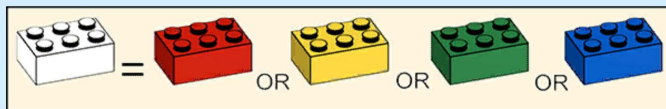
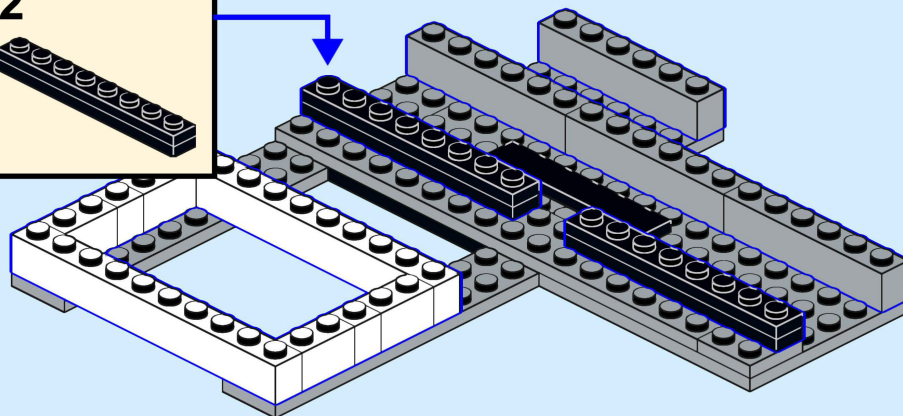
2



# 3

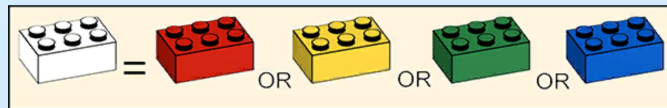
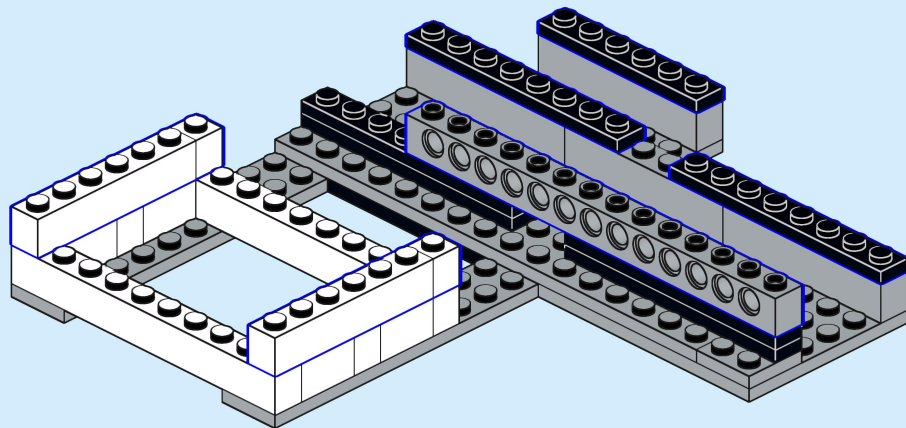
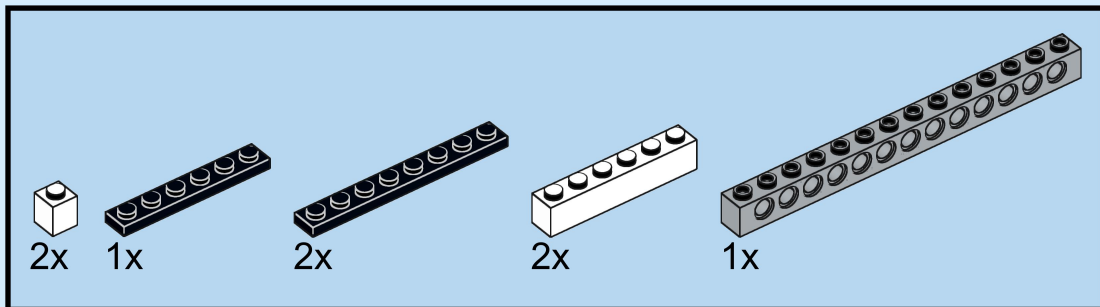


2x

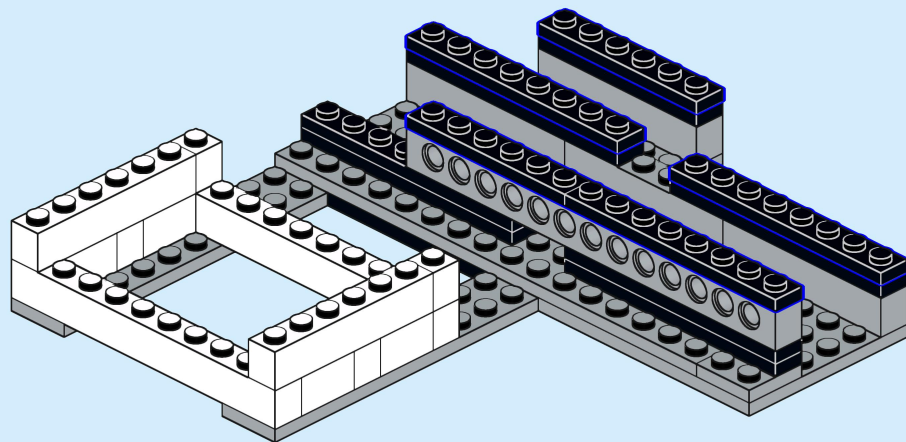
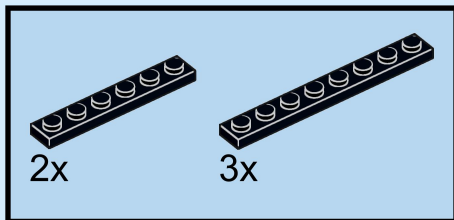




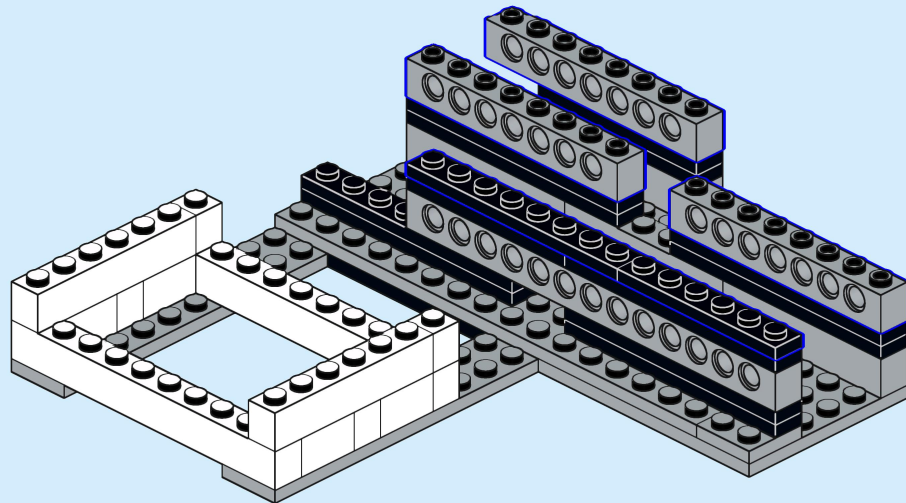
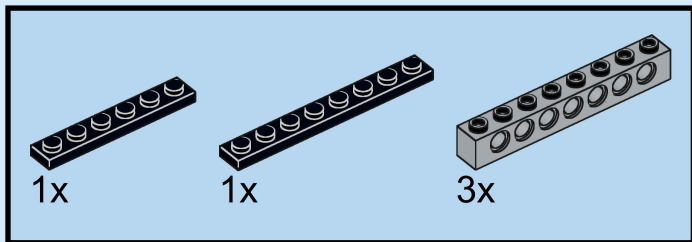
# 4



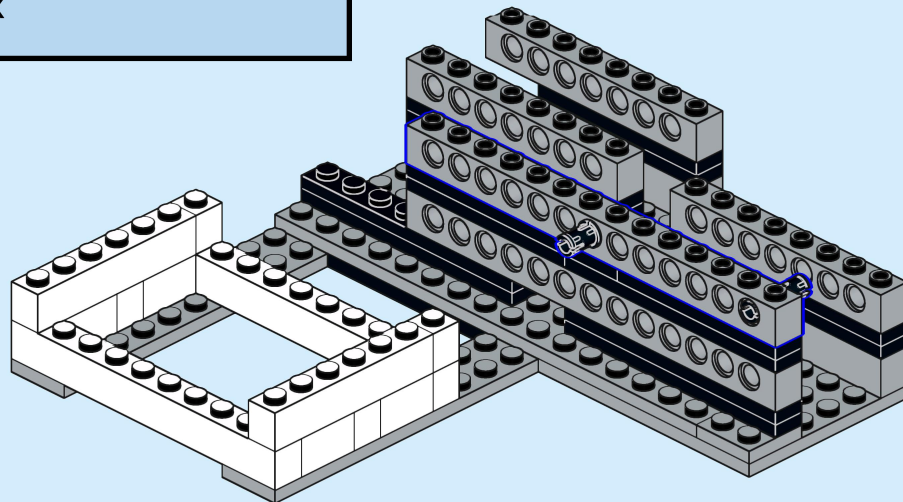
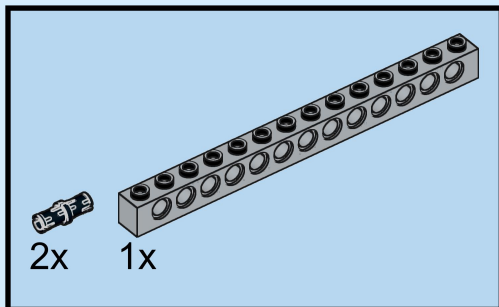
5



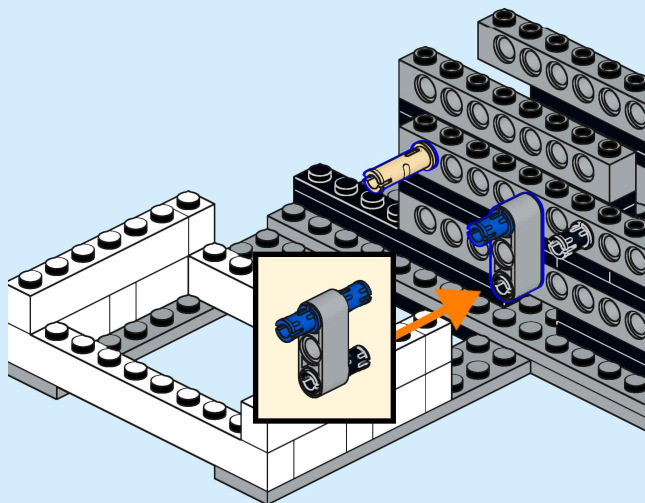
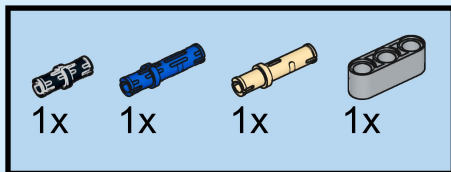
6



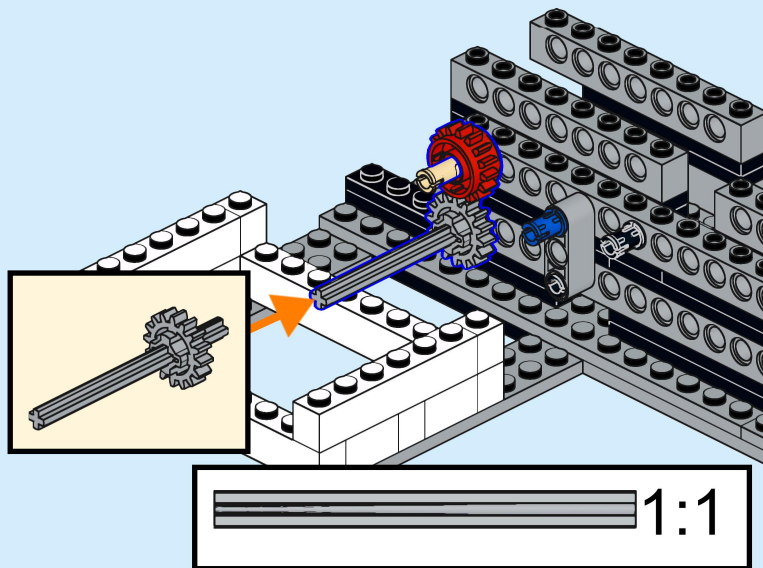
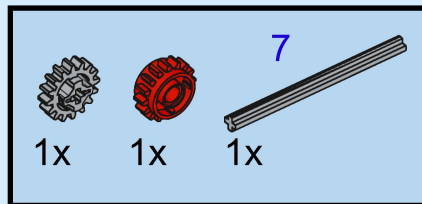
7



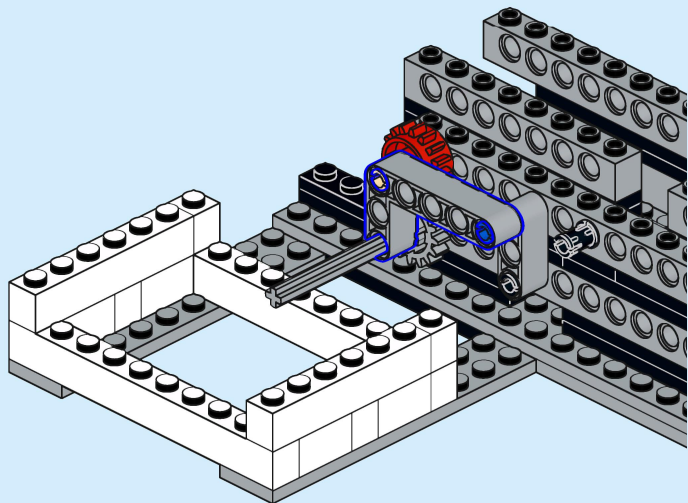
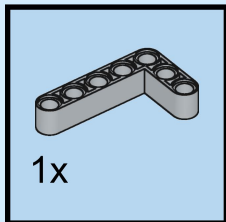
8



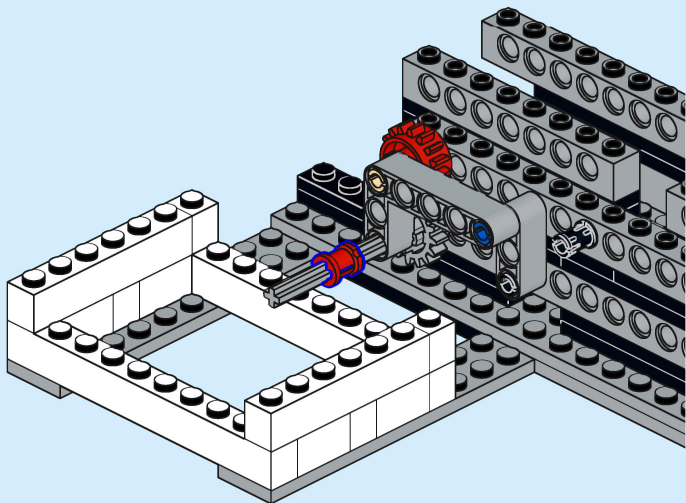
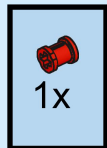
9



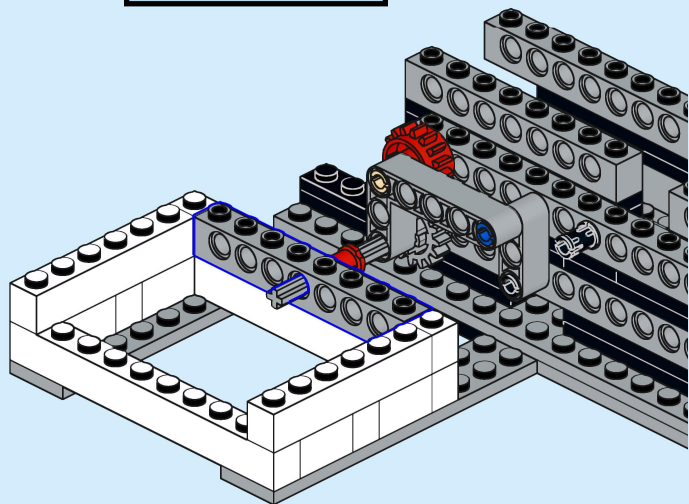
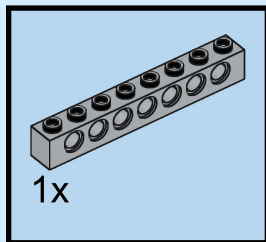
10



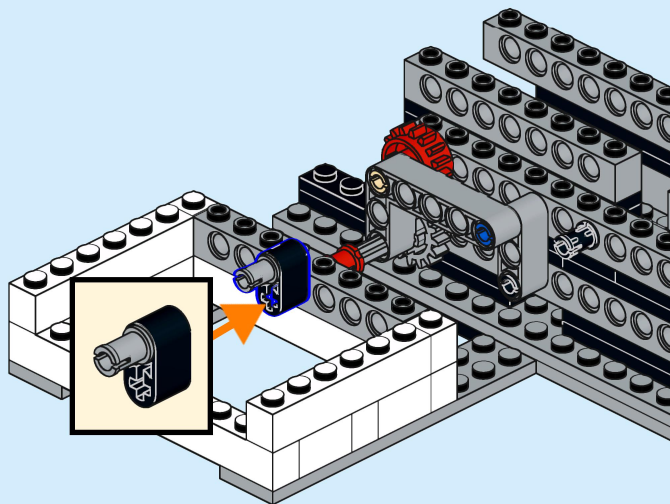
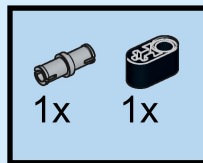
11



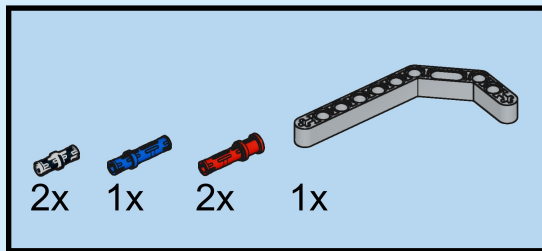
12



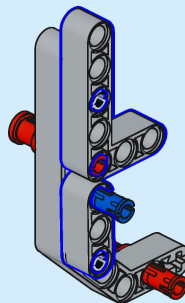
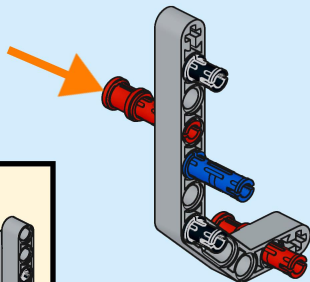
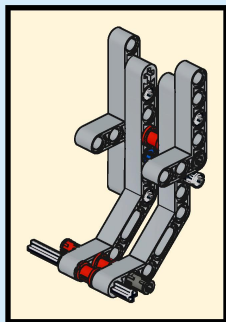
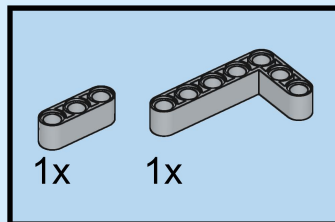
13



# 14

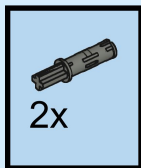


# 15

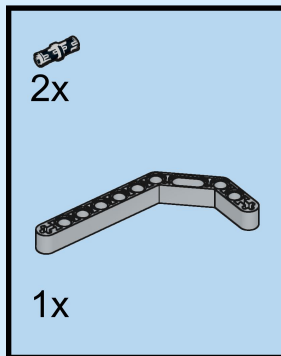




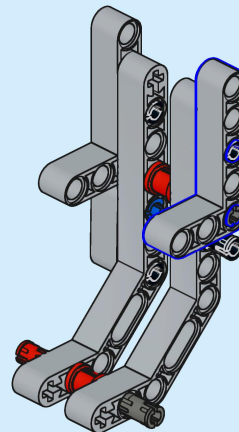
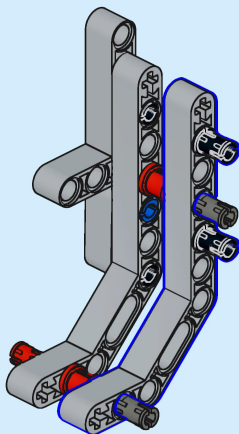
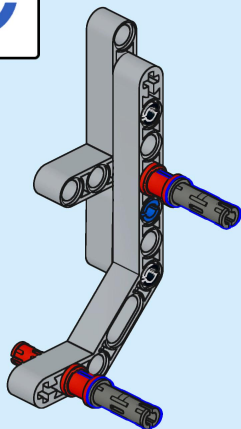
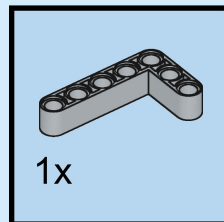
16



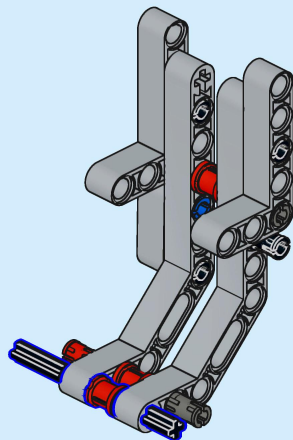
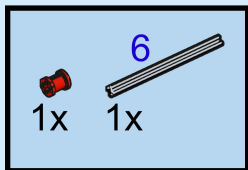
17



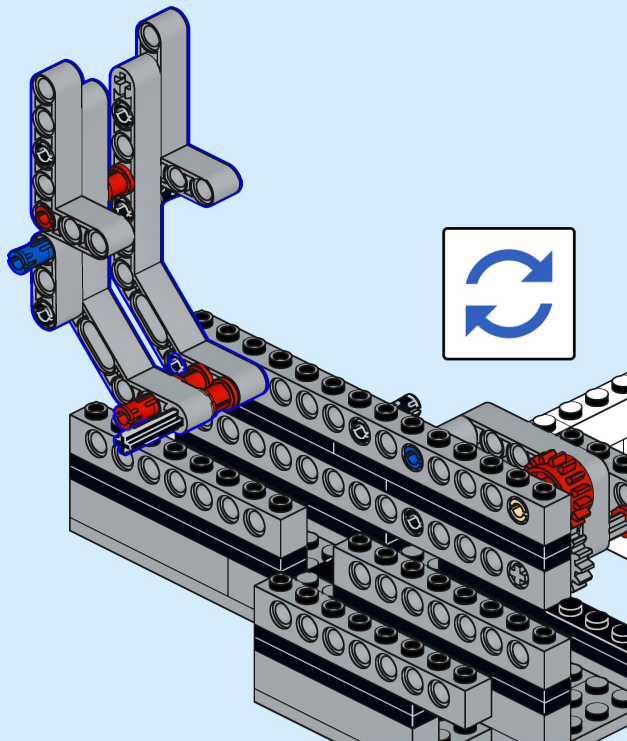
18



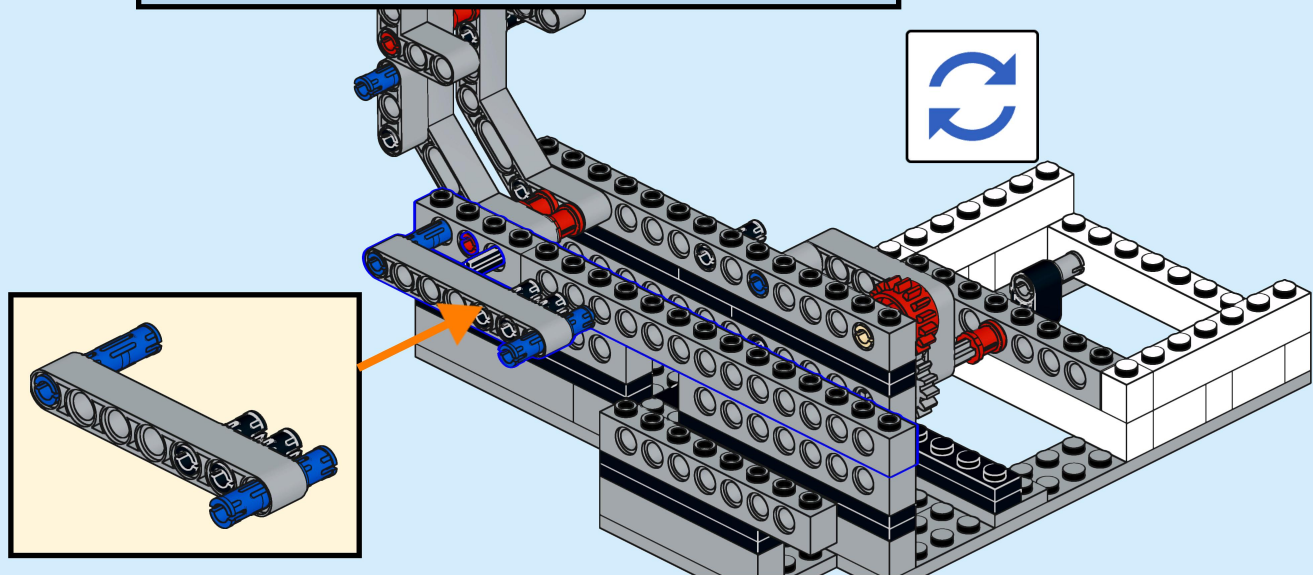
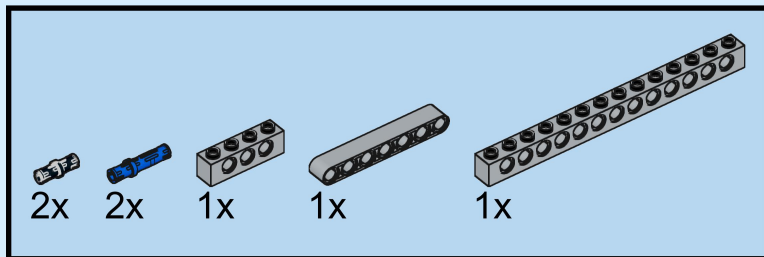
19



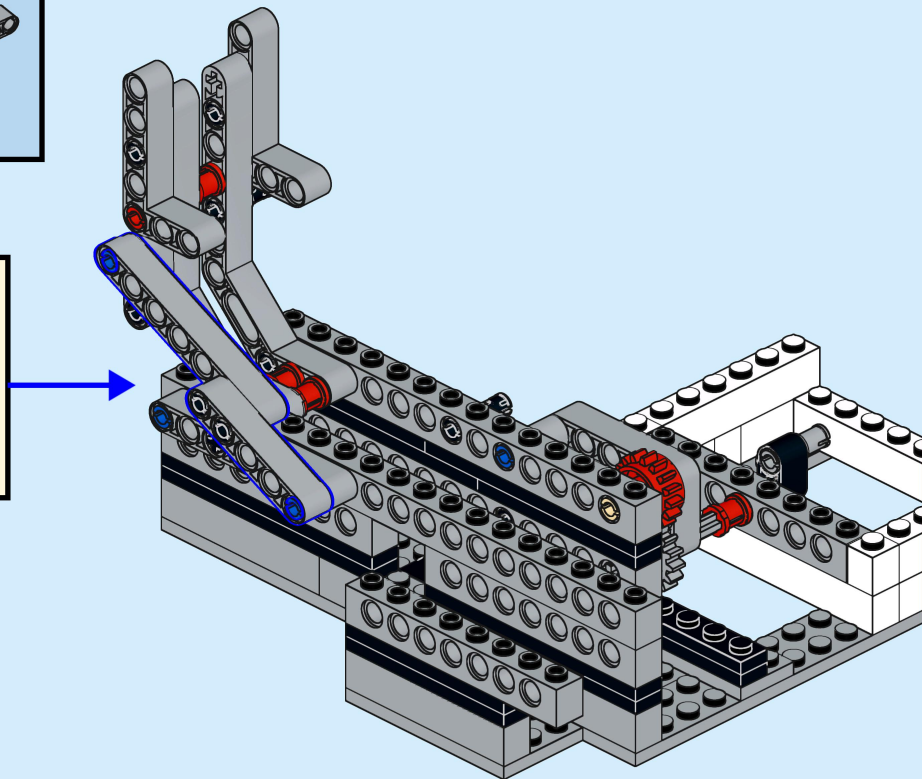
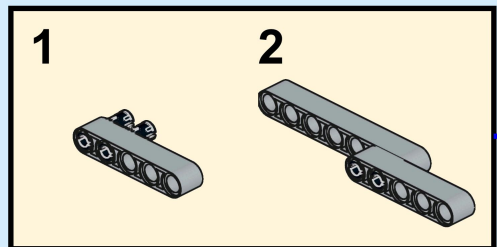
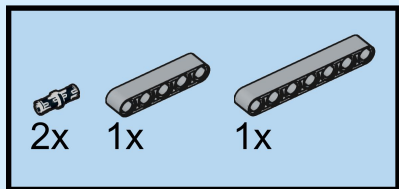
20



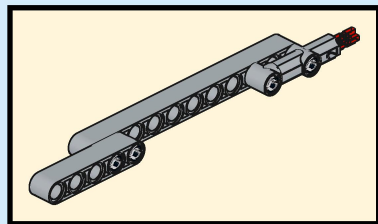
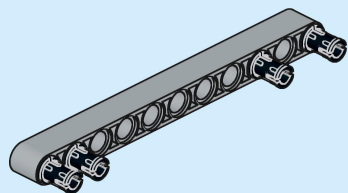
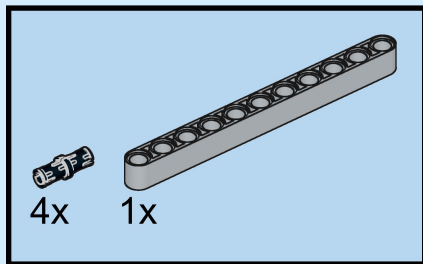
# 21



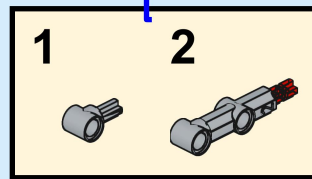
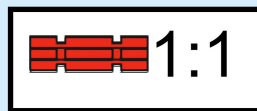
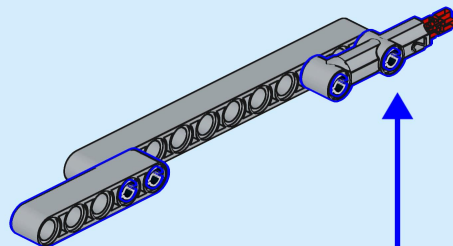
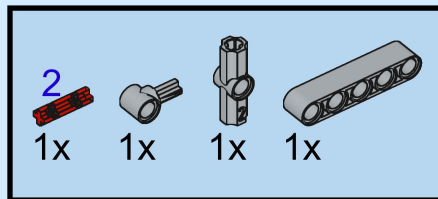
# 22



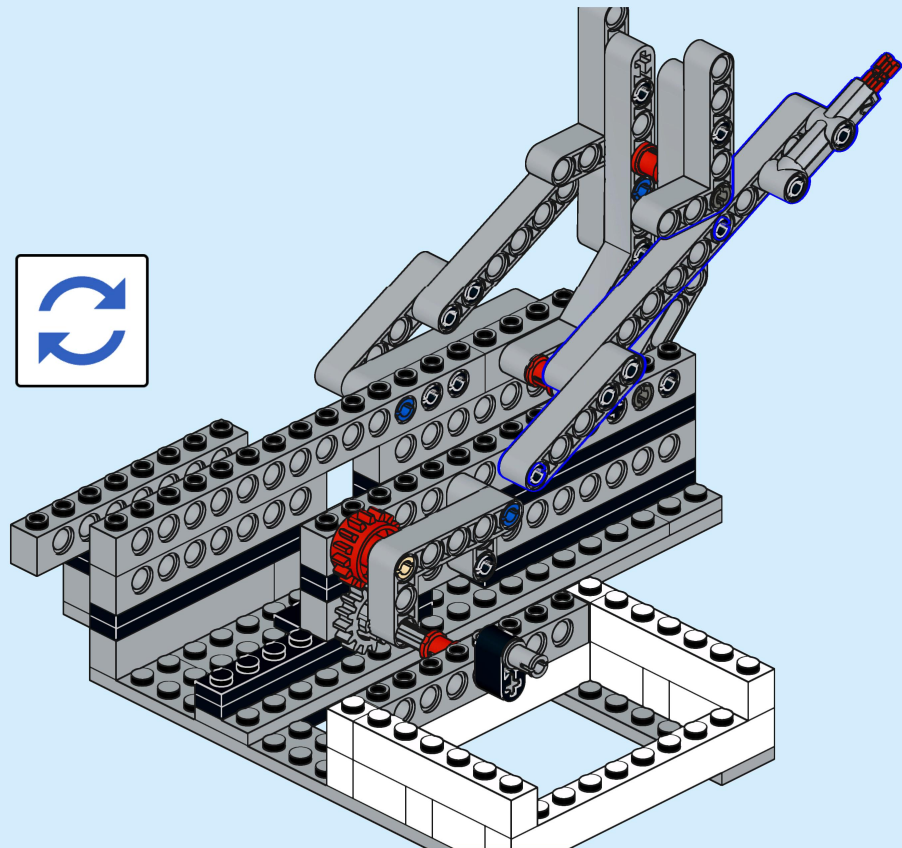
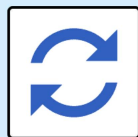
# 23



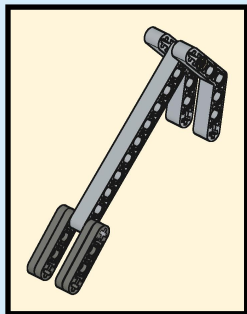
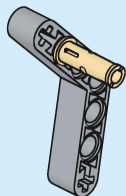
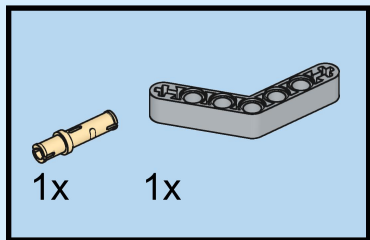
# 24



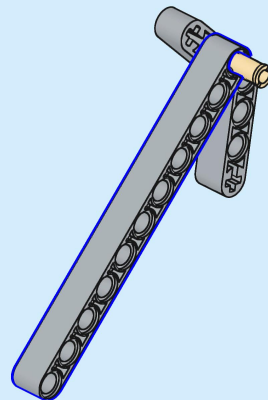
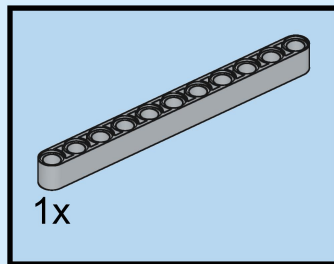
25



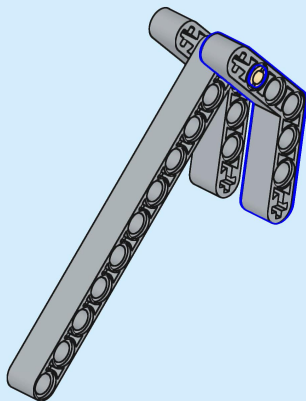
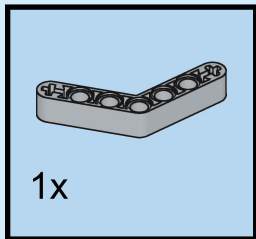
26



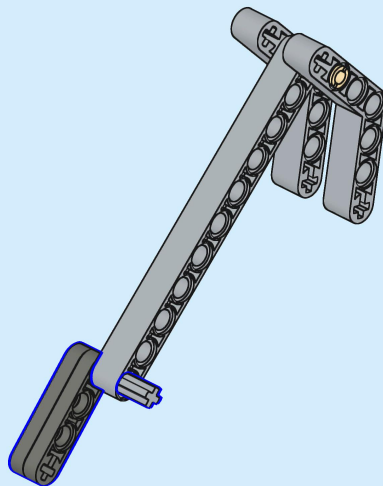
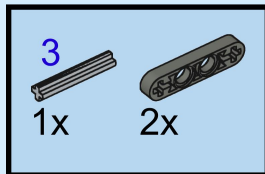
27



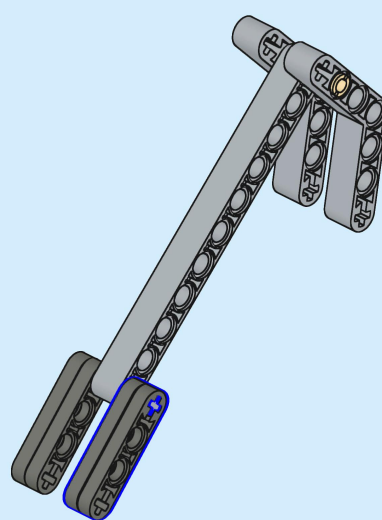
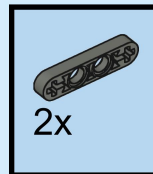
28



29

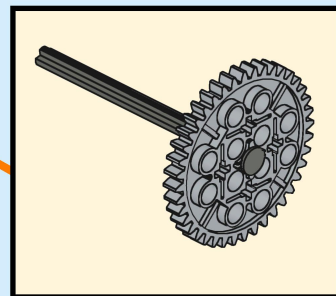
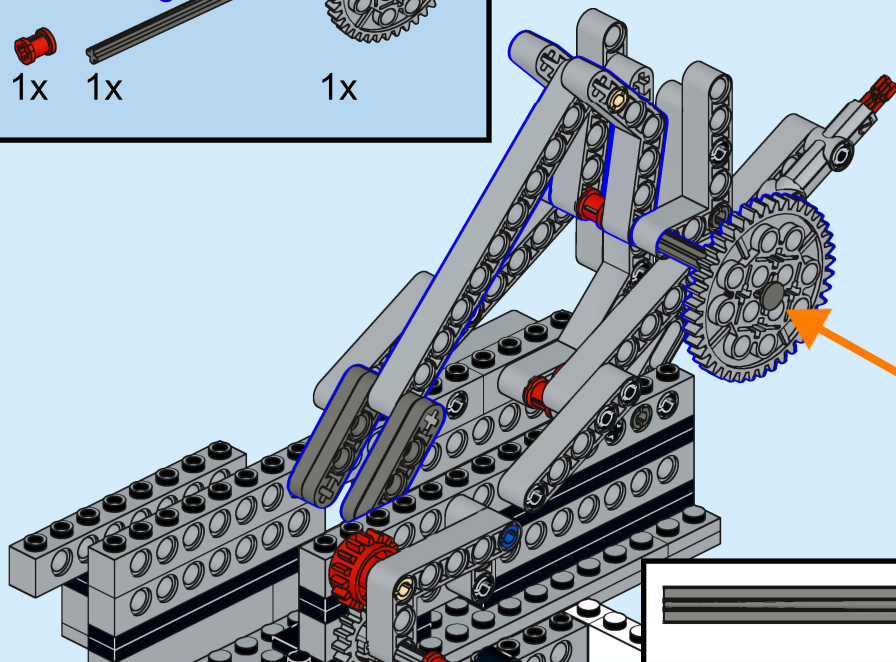
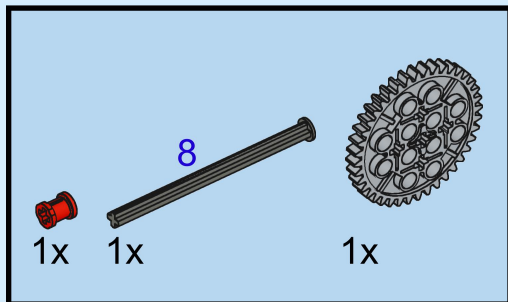


30

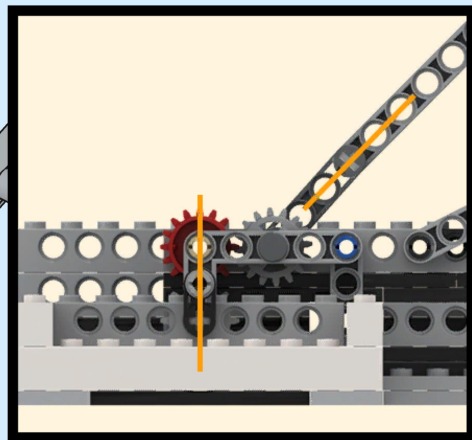
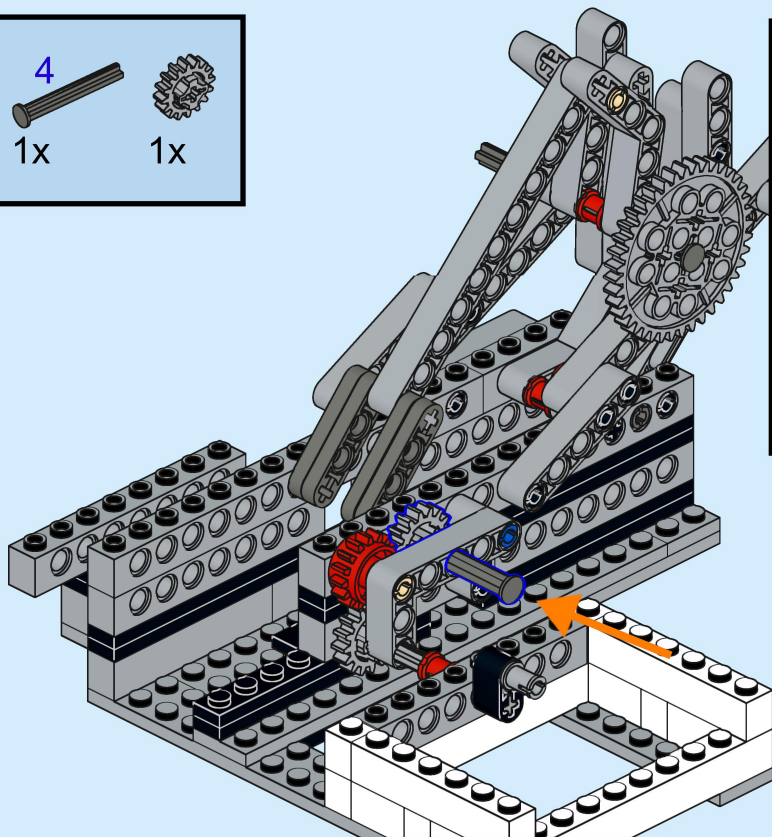
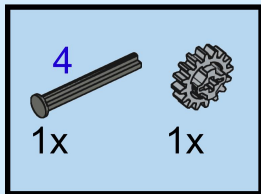


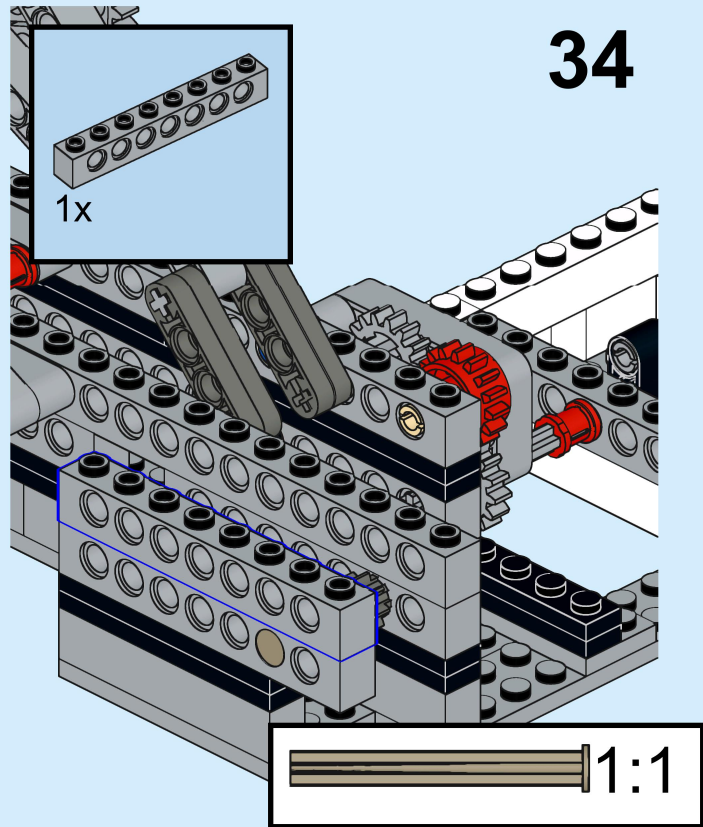
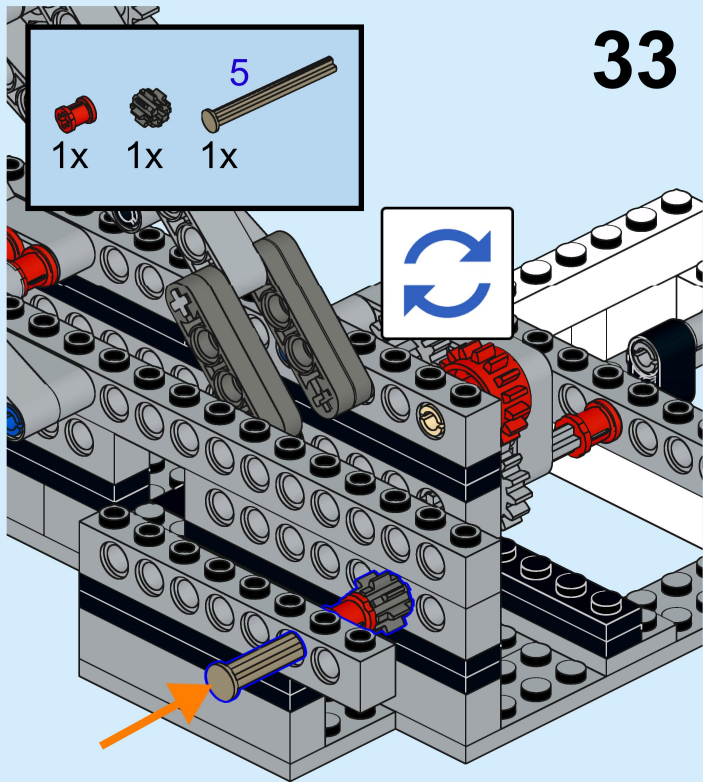


# 31

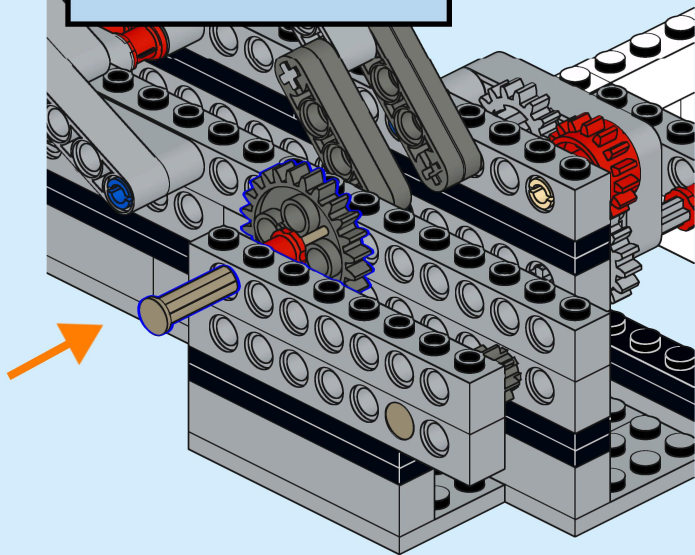
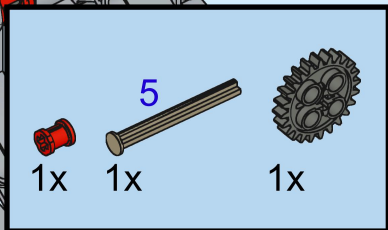


# 32

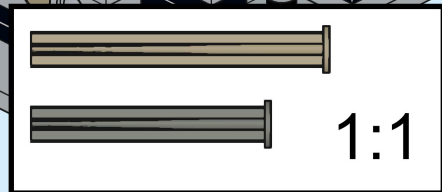
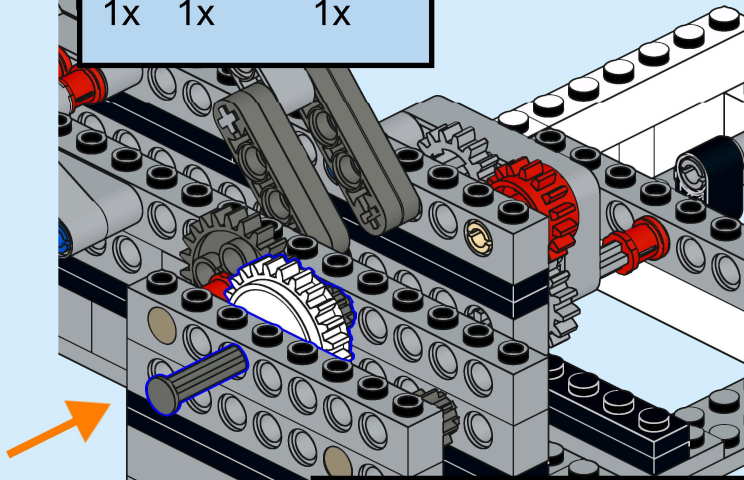
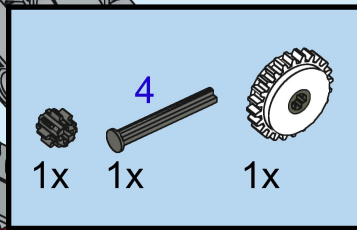


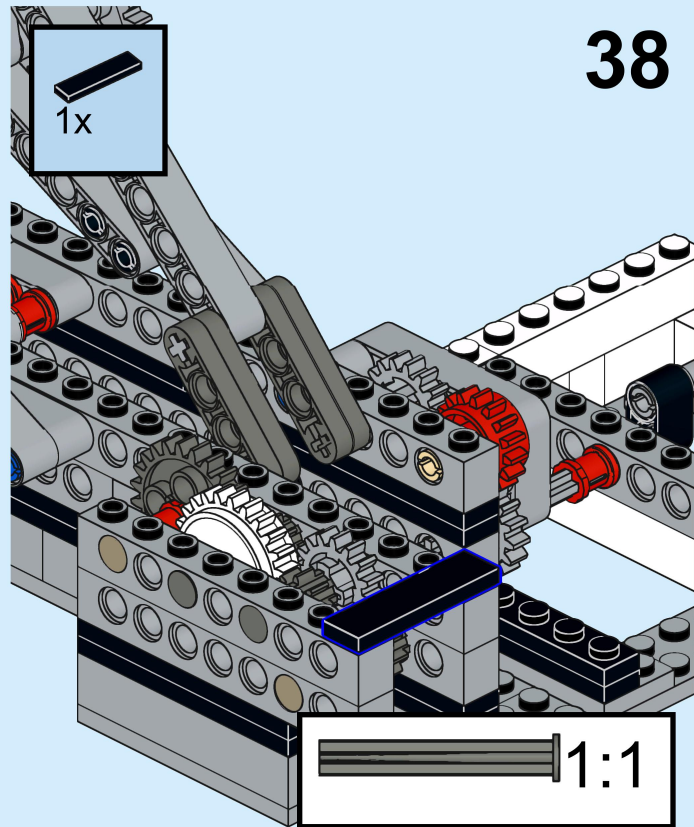
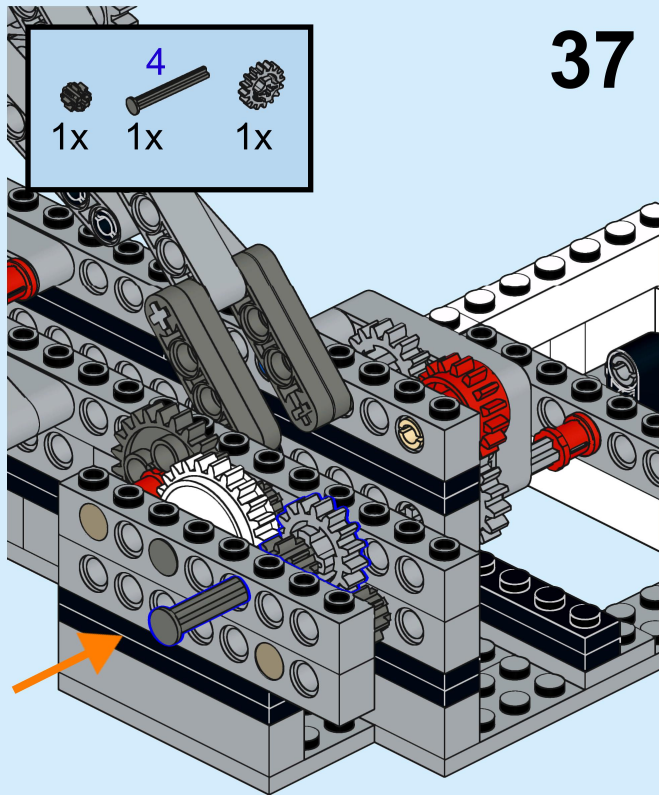


35

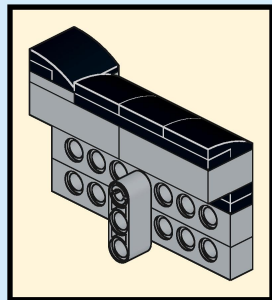
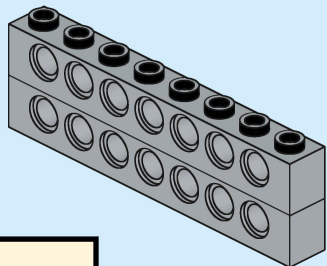
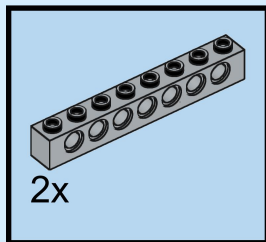


36

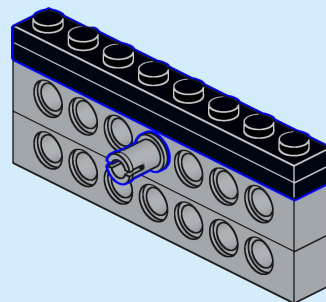
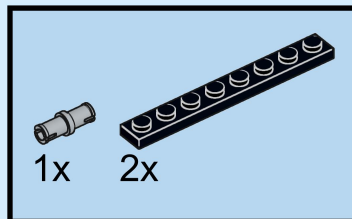




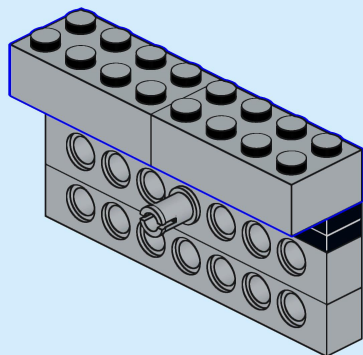
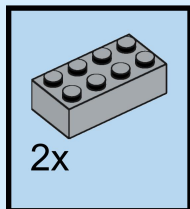
39



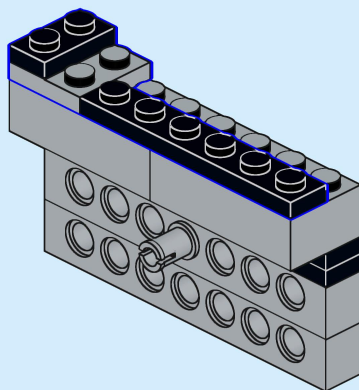
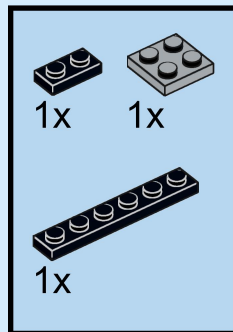
40



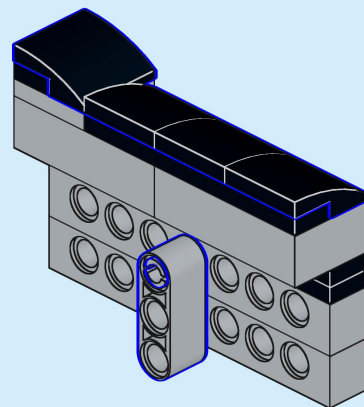
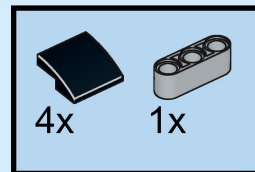
41

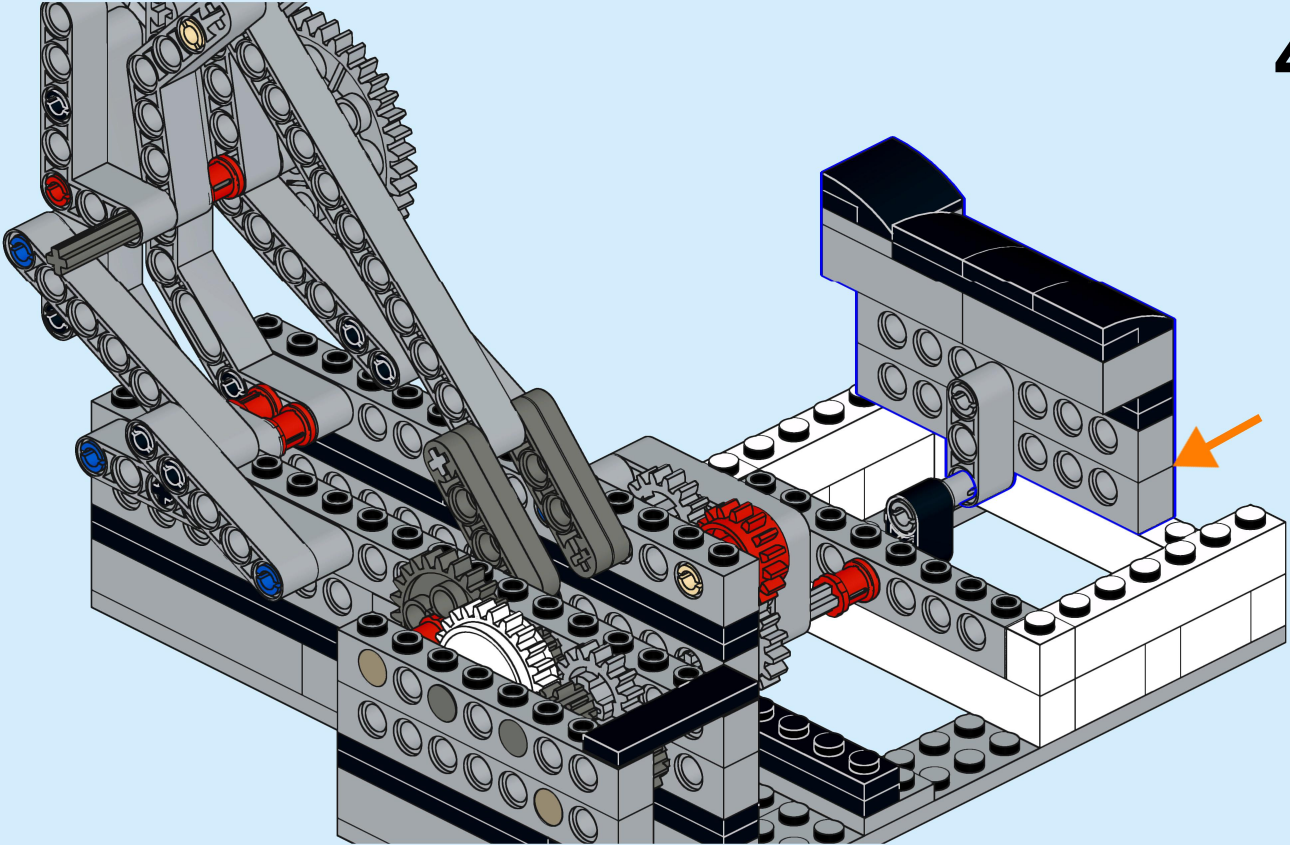


42



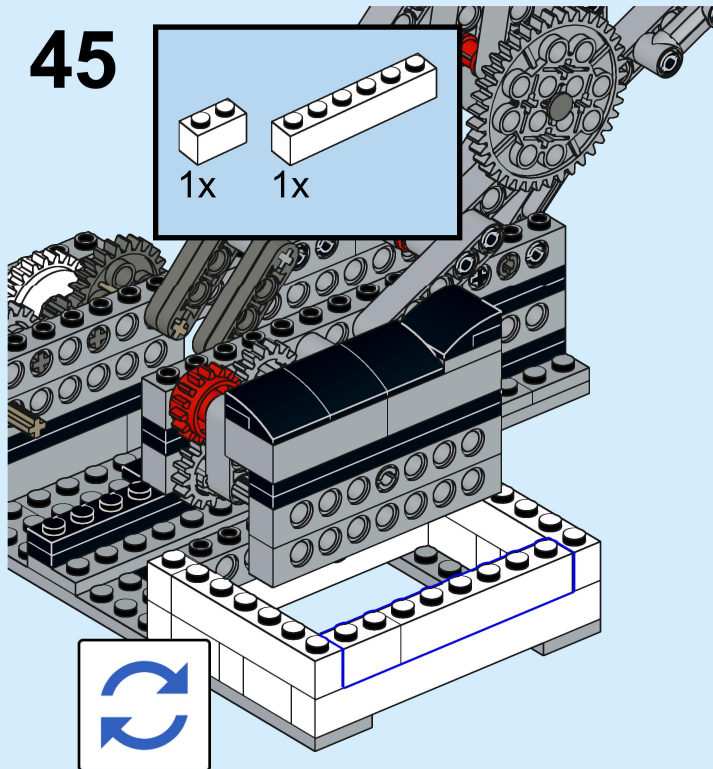
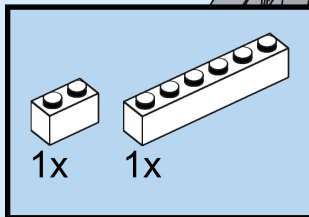
43



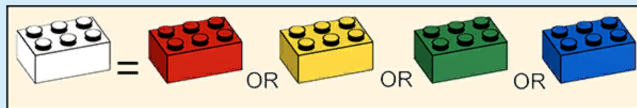
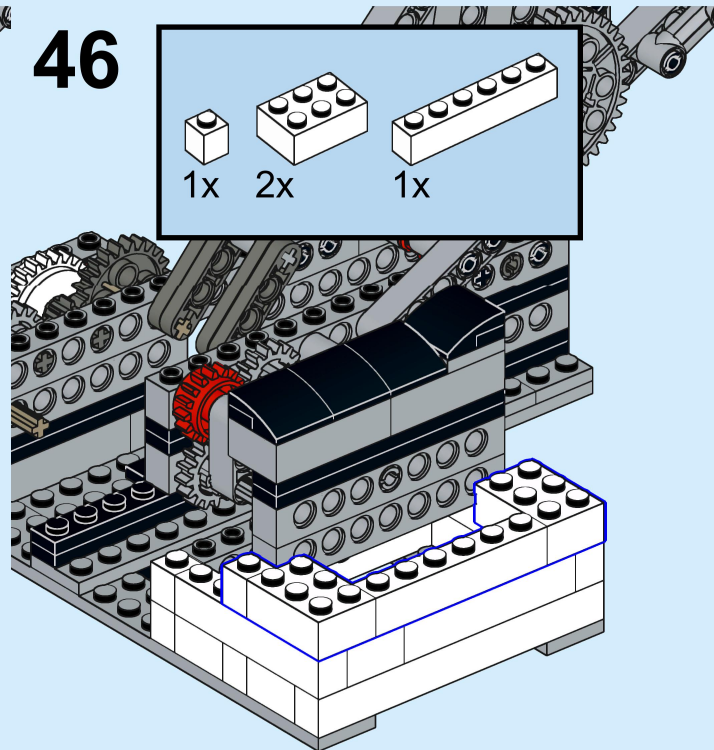
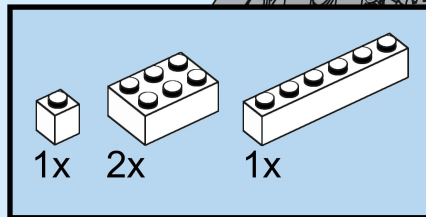



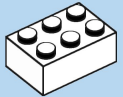
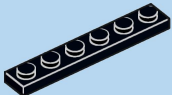
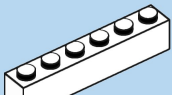
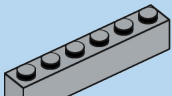


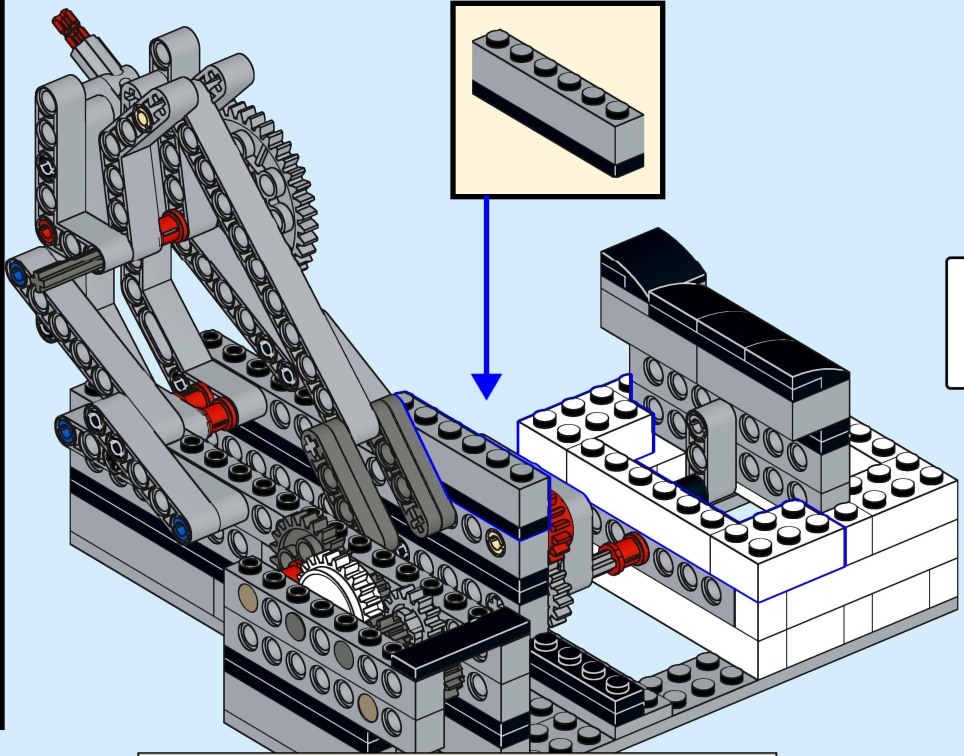
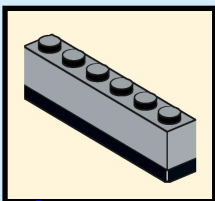
# 45



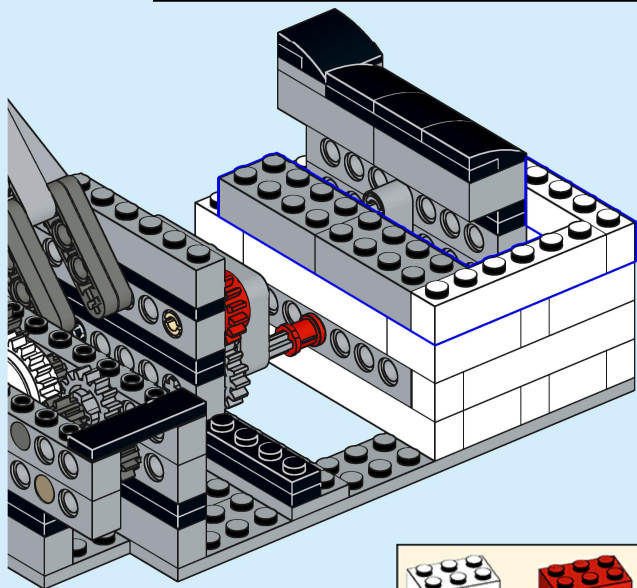
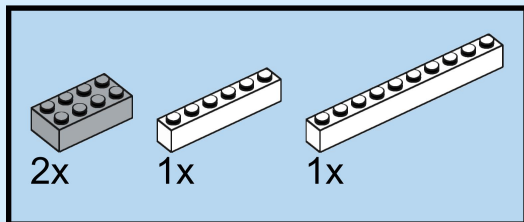
# 46



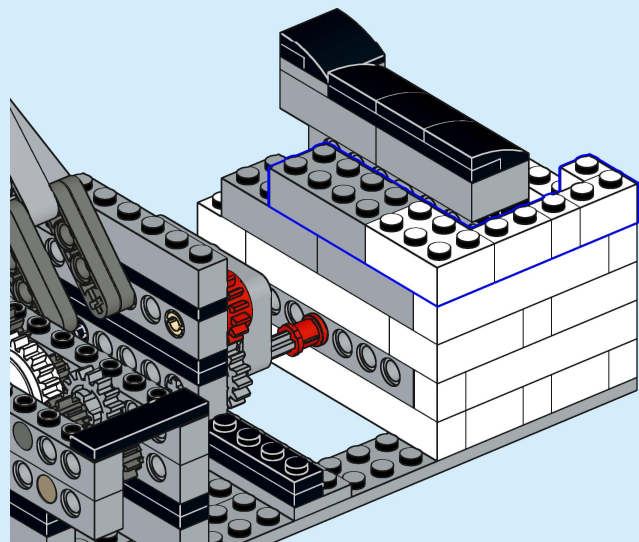
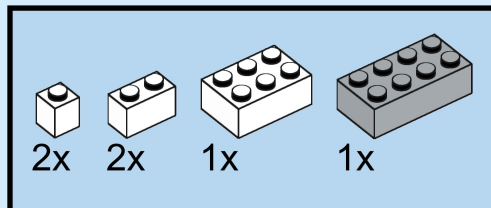
- 1x  2x 
- 1x 
- 1x 
- 1x 



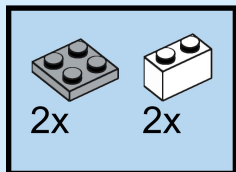
# 48



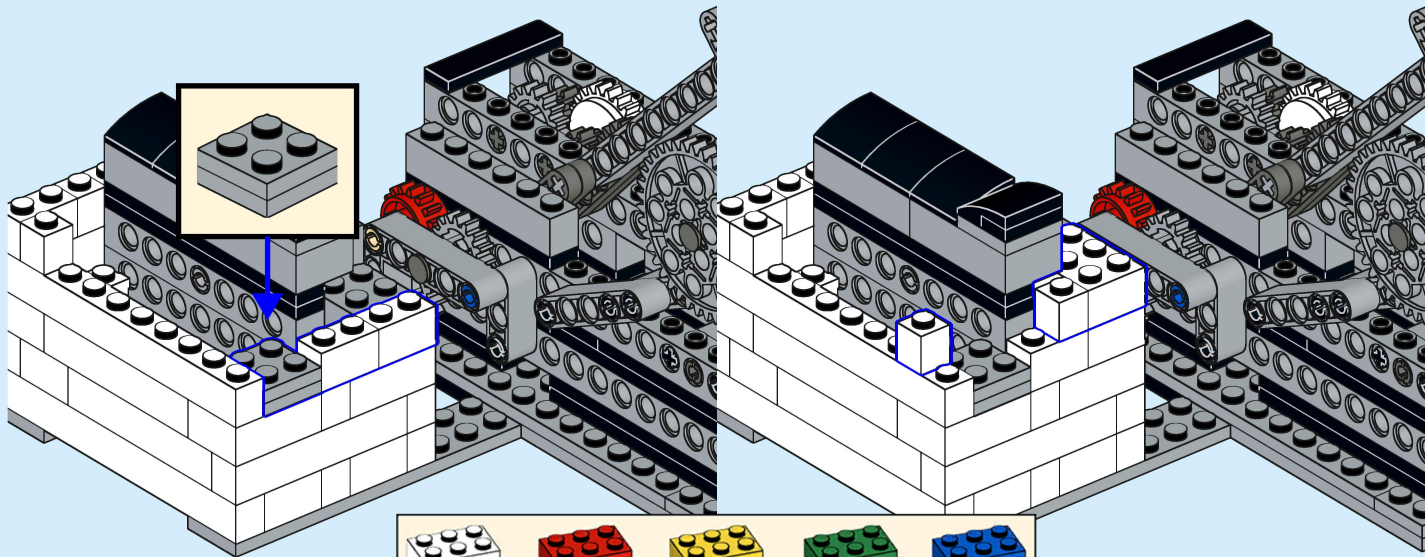
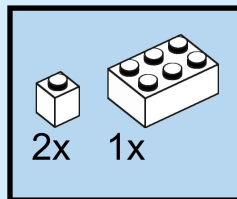
# 49



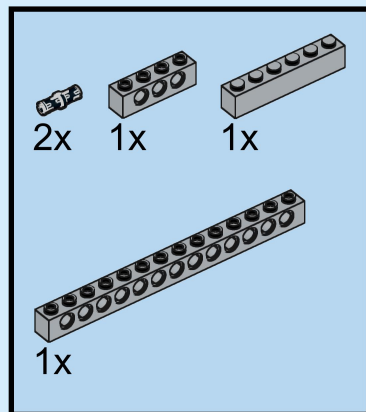
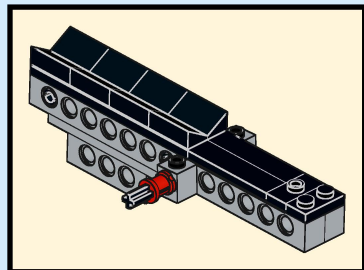
# 50



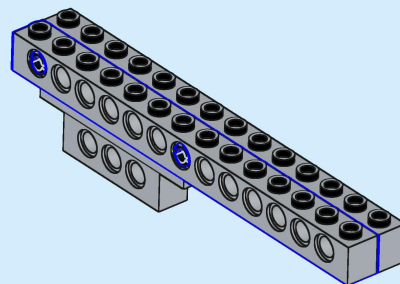
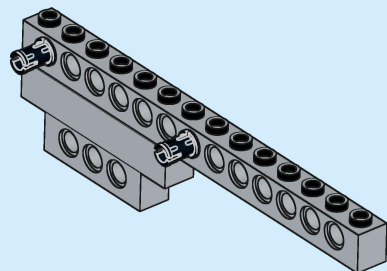
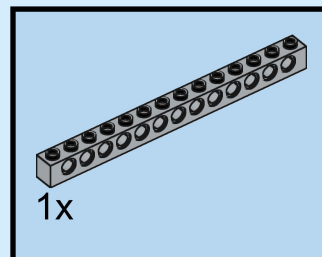
# 51



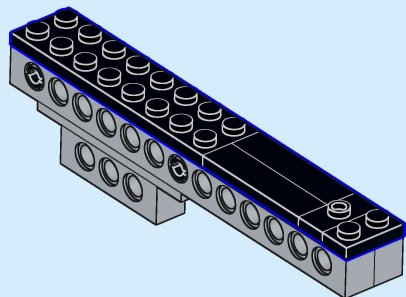
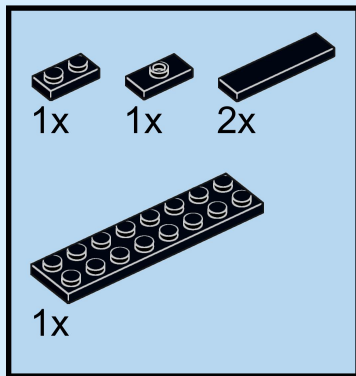
# 52



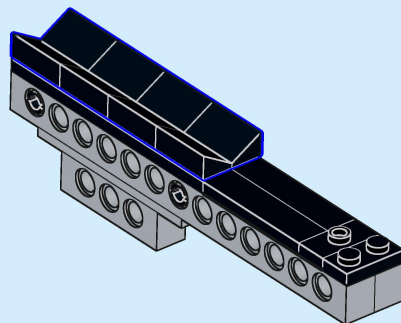
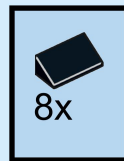
# 53



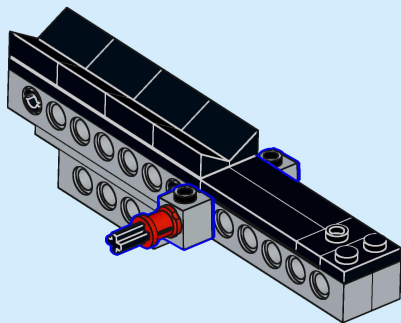
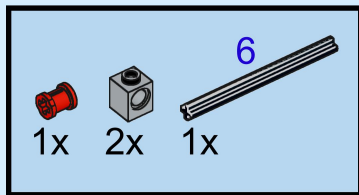
# 54



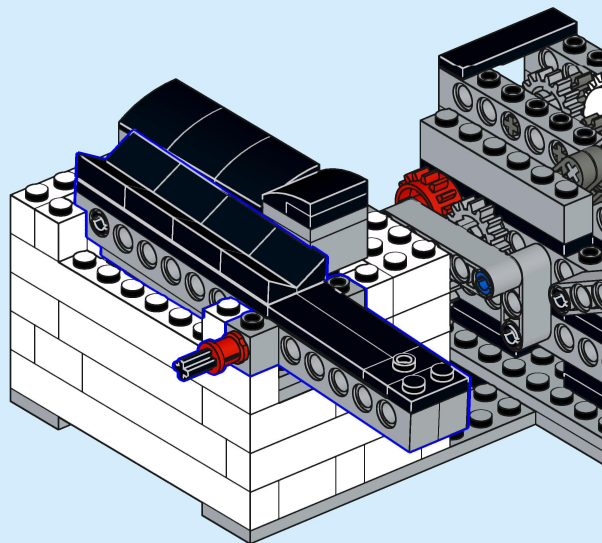
# 55



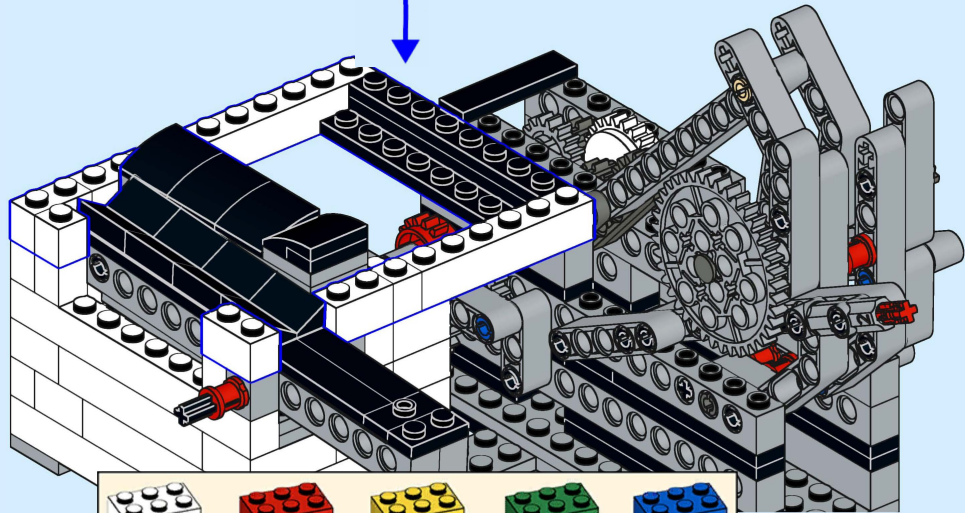
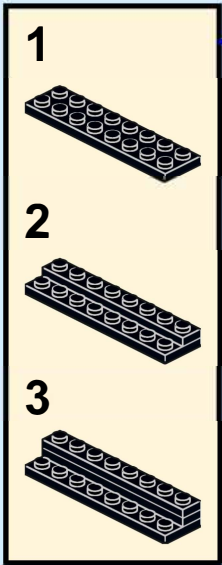
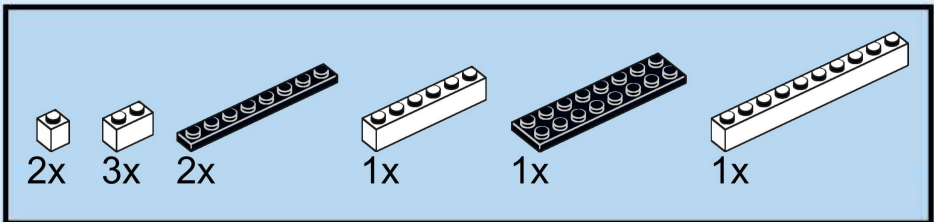
# 56



# 57

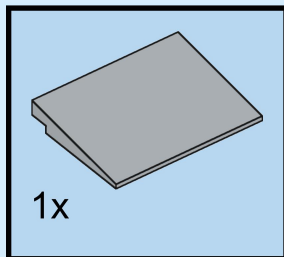


# 58

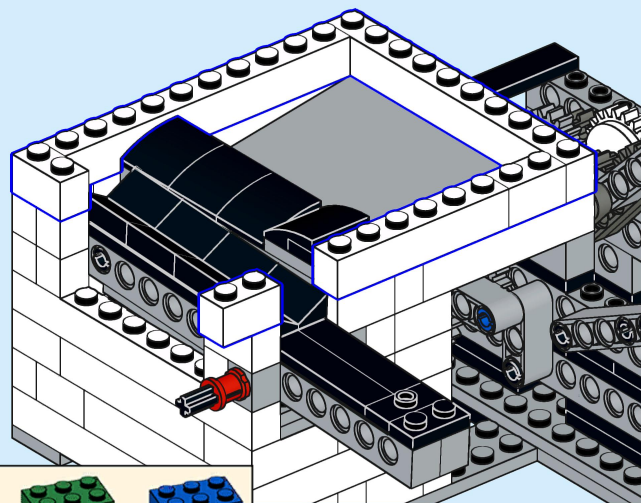
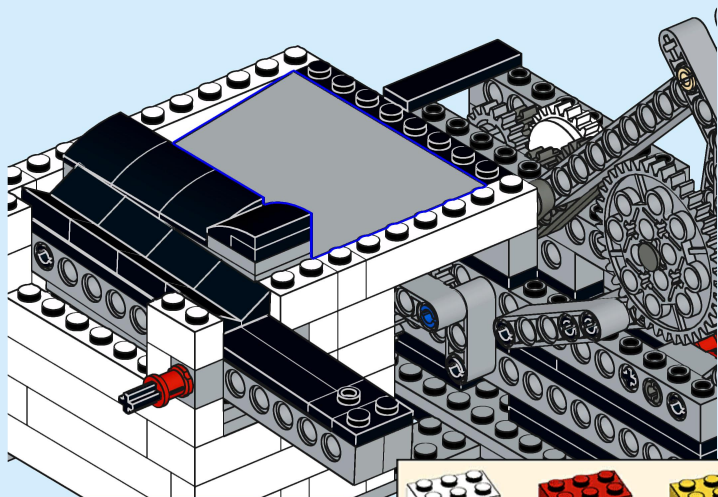
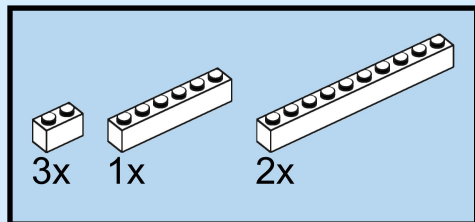




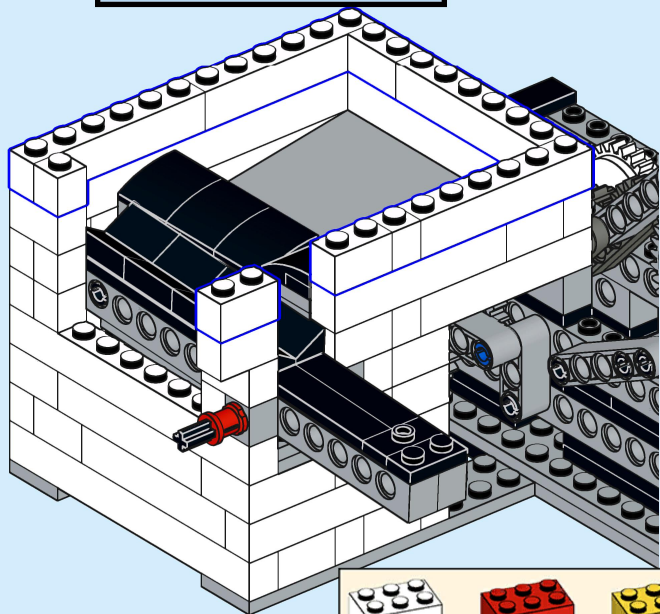
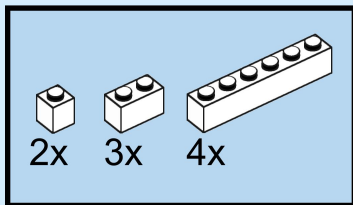
# 59



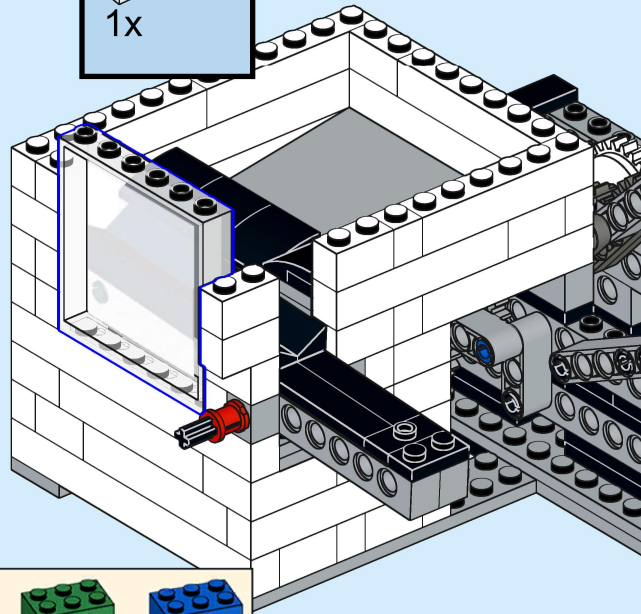
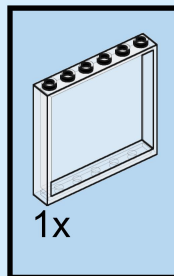
# 60



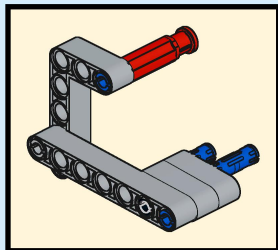
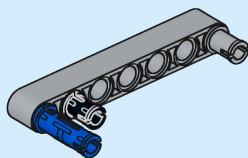
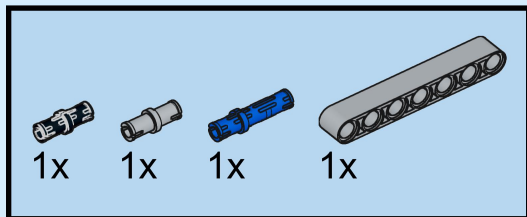
# 61



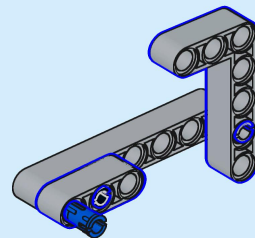
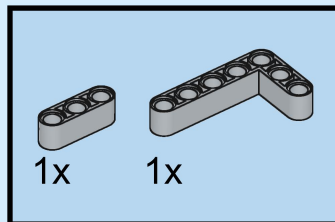
# 62



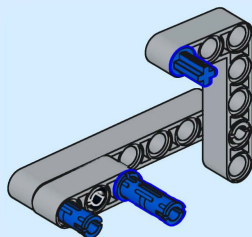
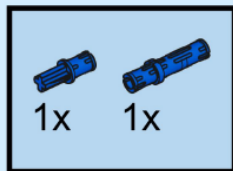
# 63



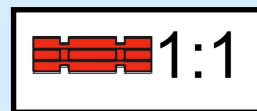
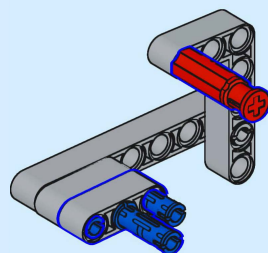
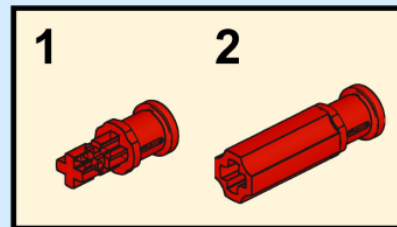
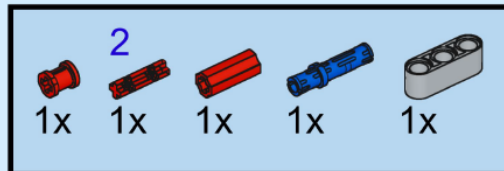
# 64



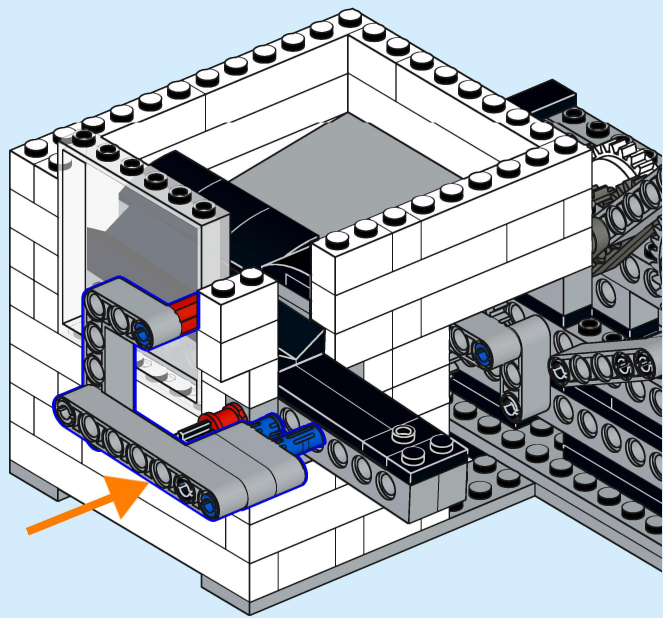
# 65



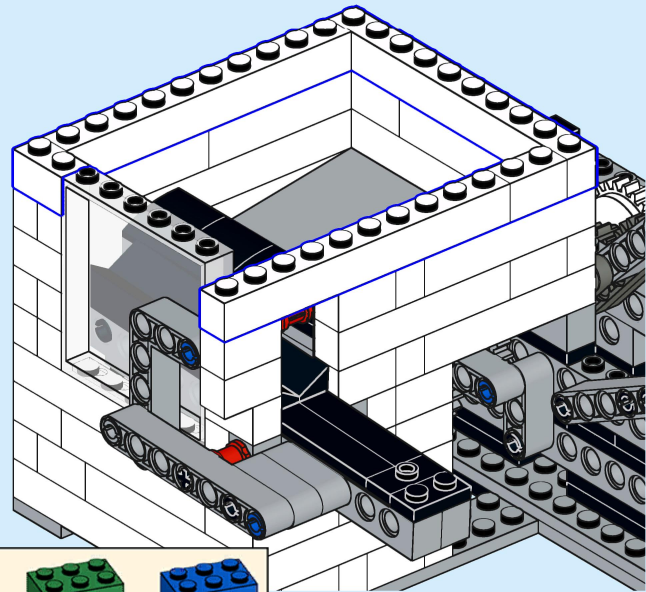
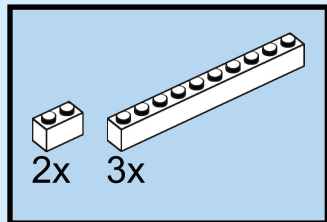
# 66



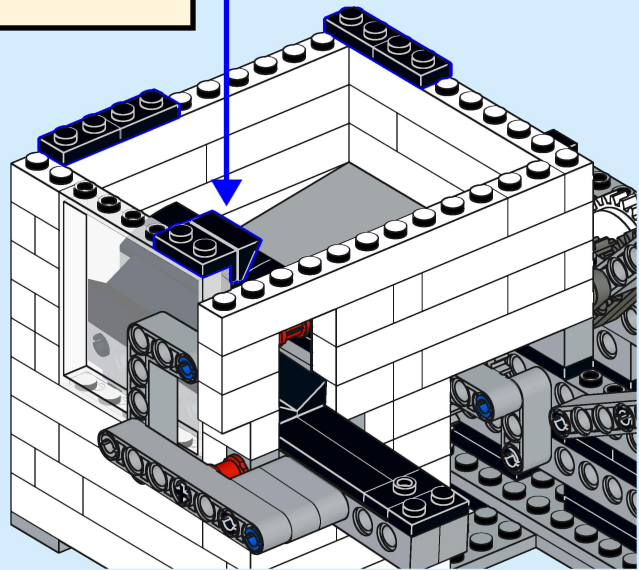
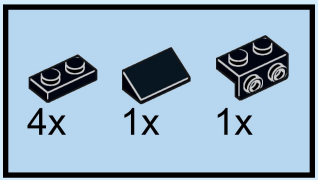
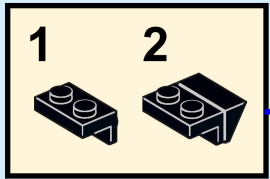
# 67



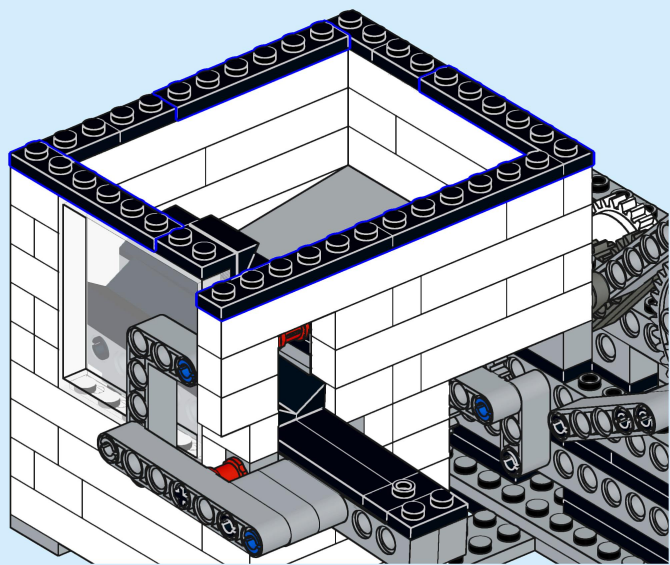
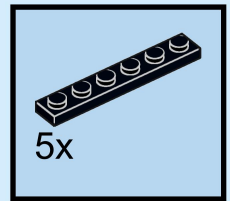
# 68



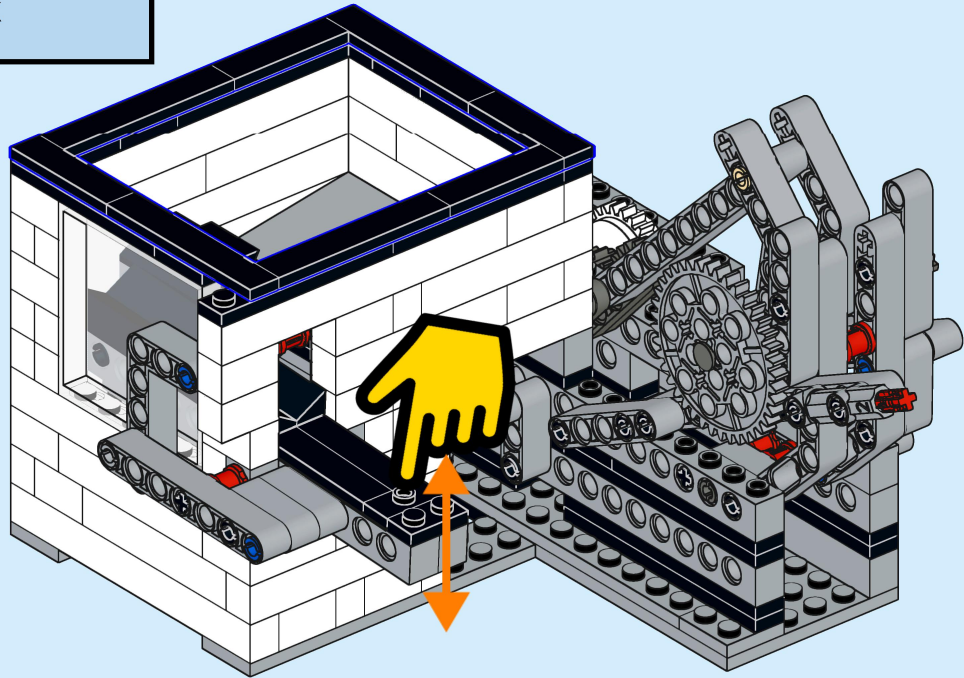
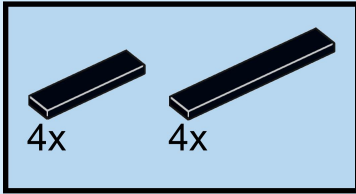
# 69



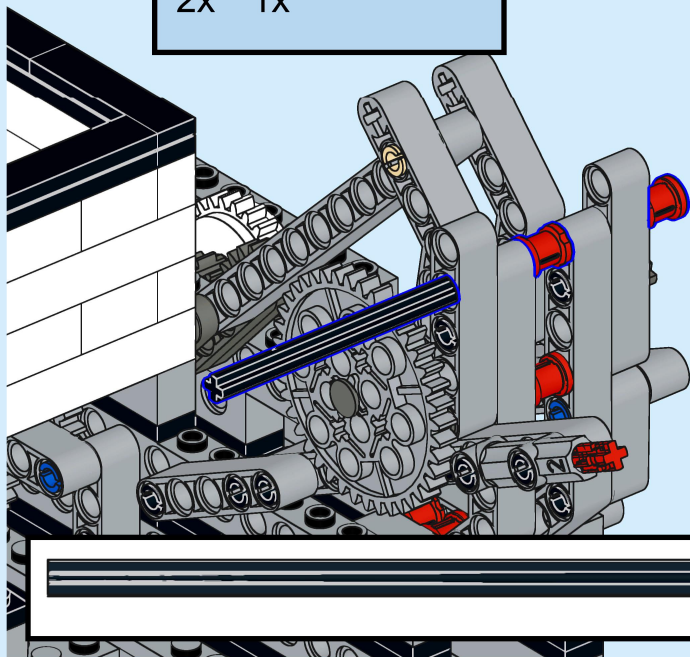
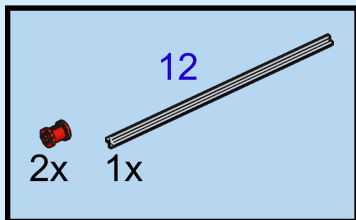
# 70



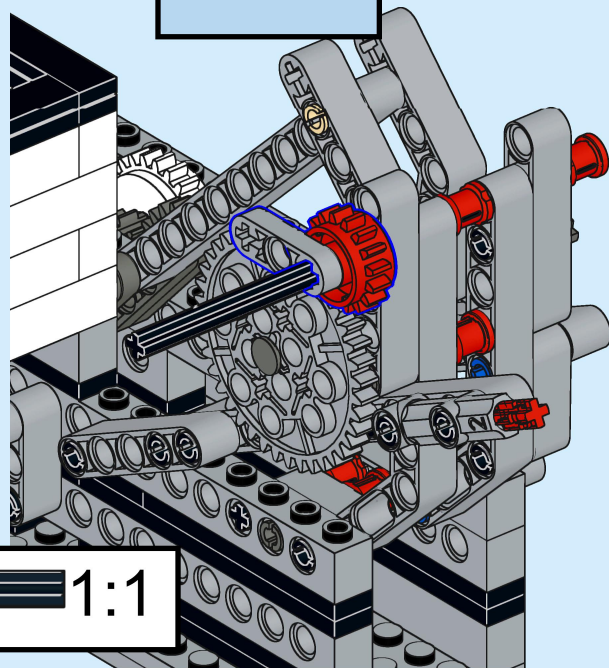
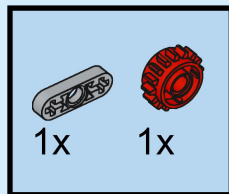
71



72



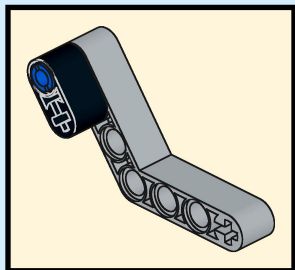
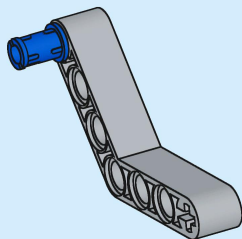
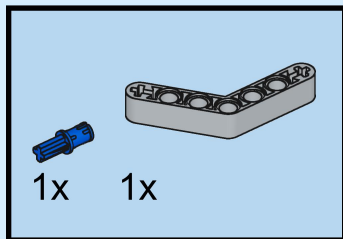
73



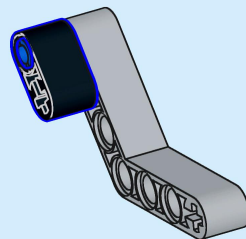
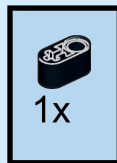
1:1



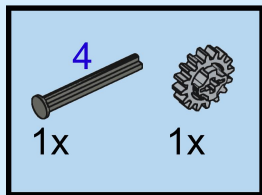
74



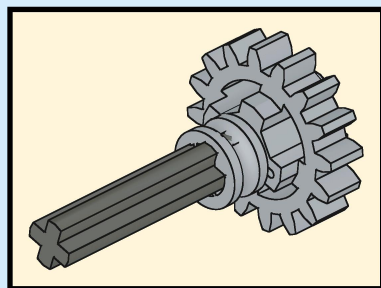
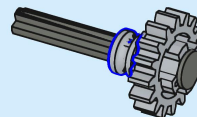
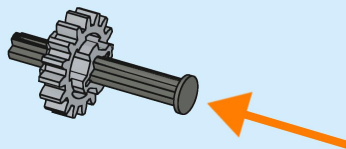
75



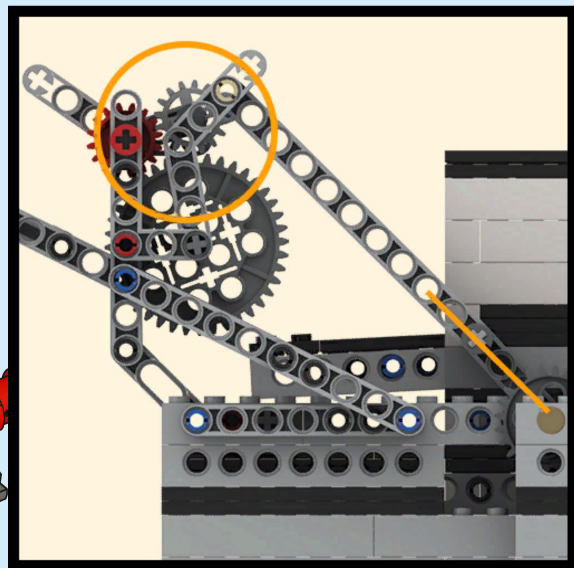
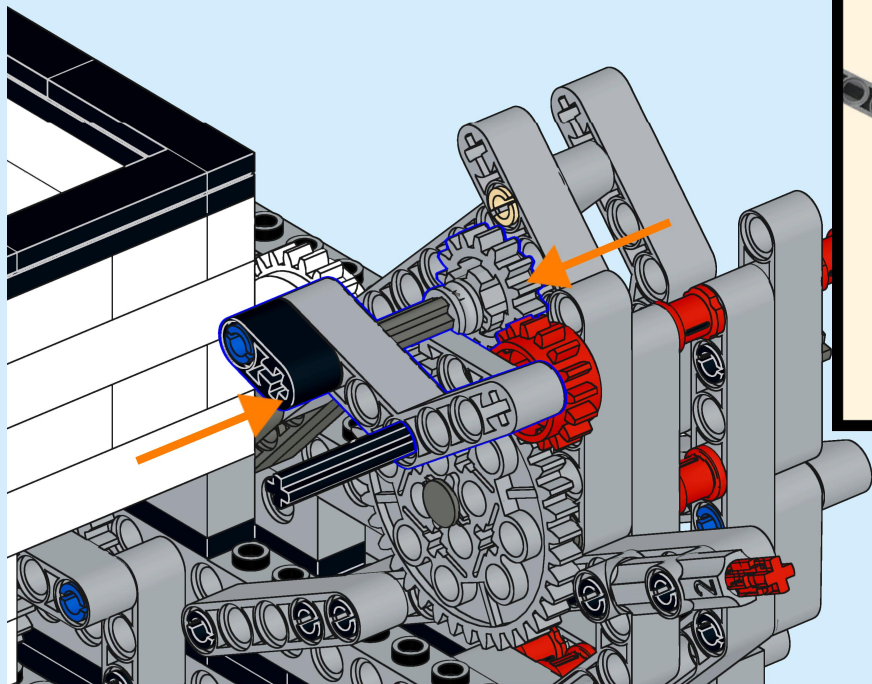
76



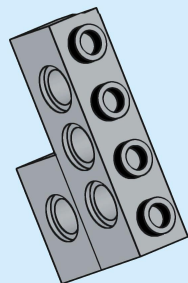
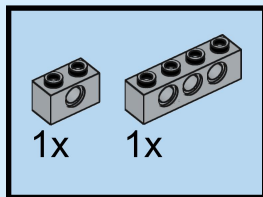
77



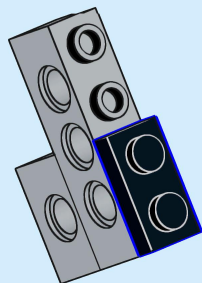
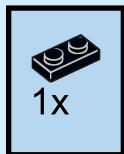
78



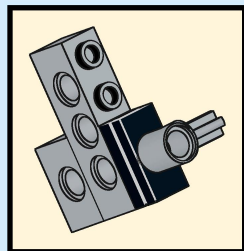
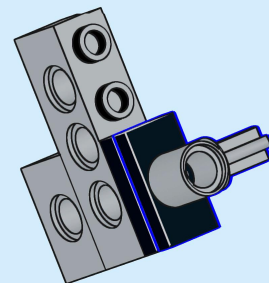
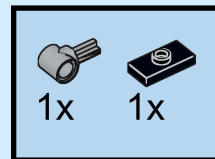
79



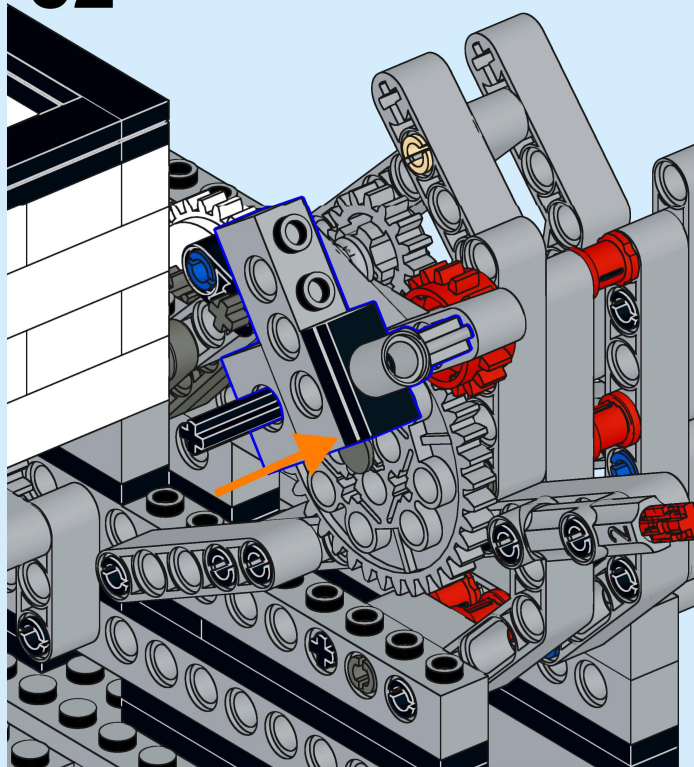
80



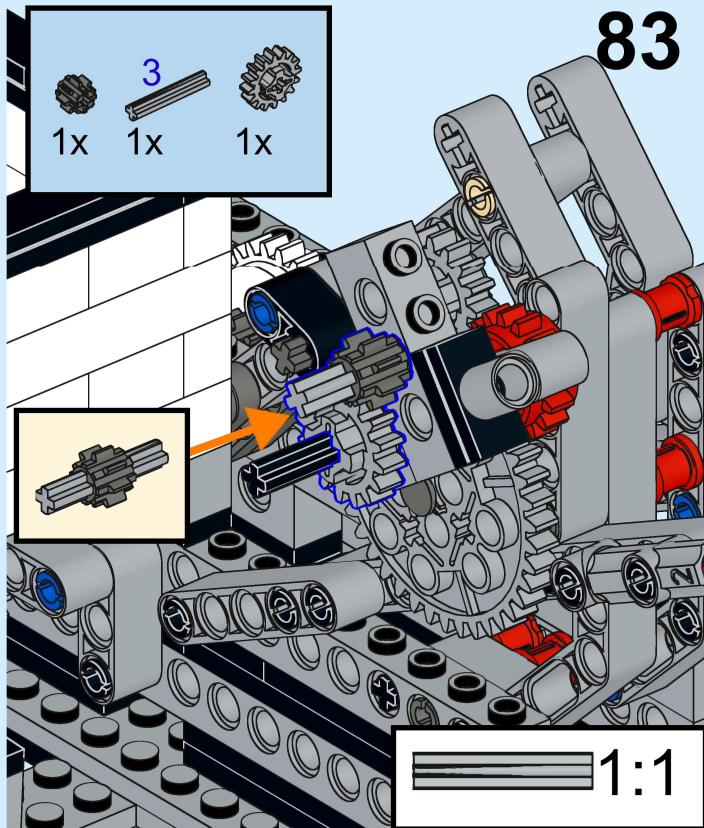
81



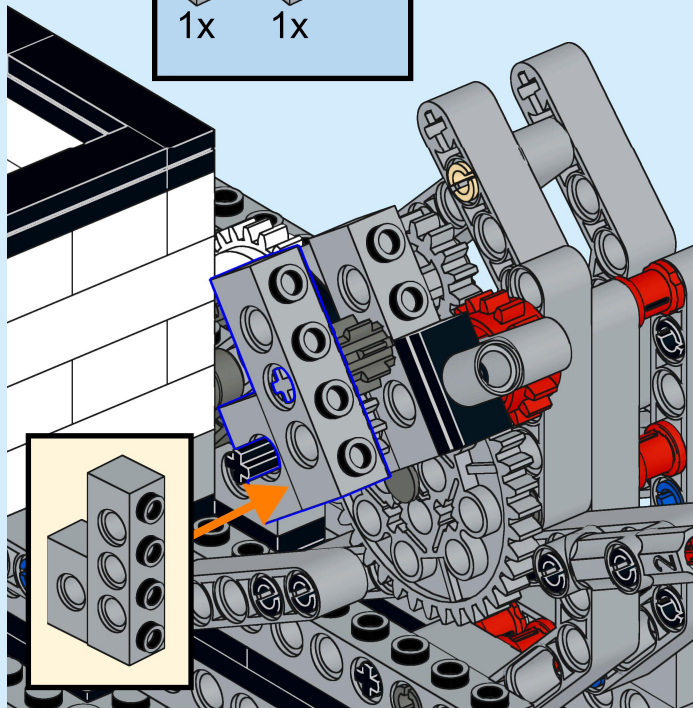
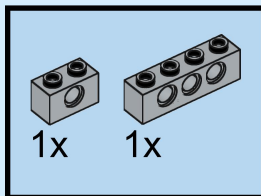
82



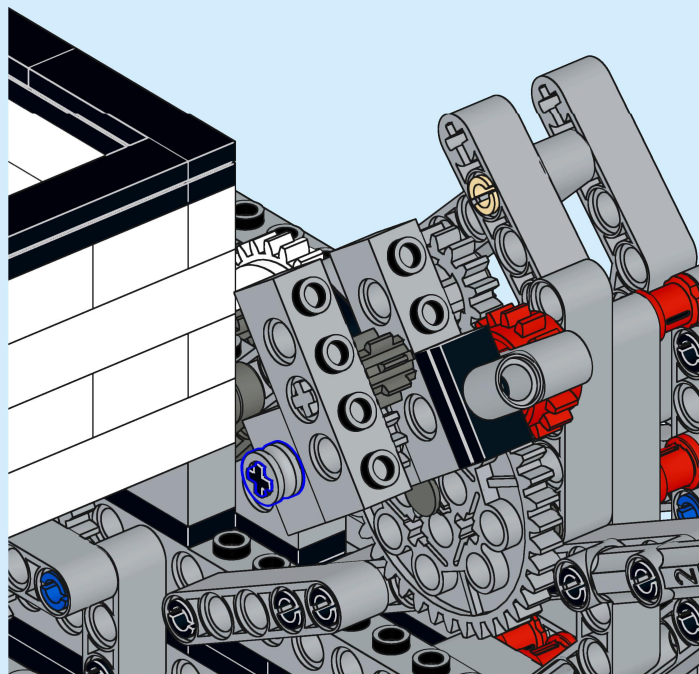
83



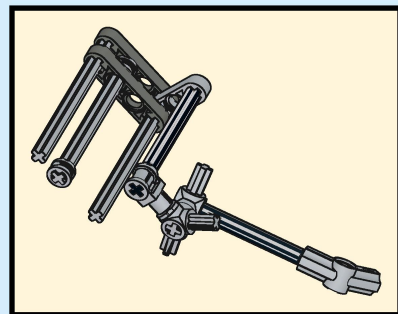
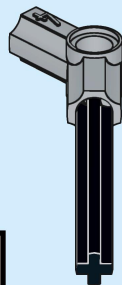
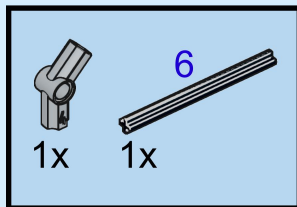
84



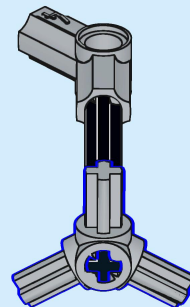
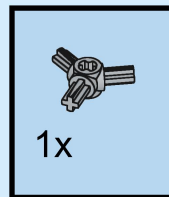
85



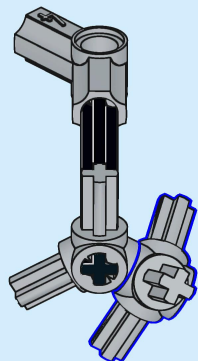
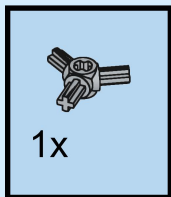
86



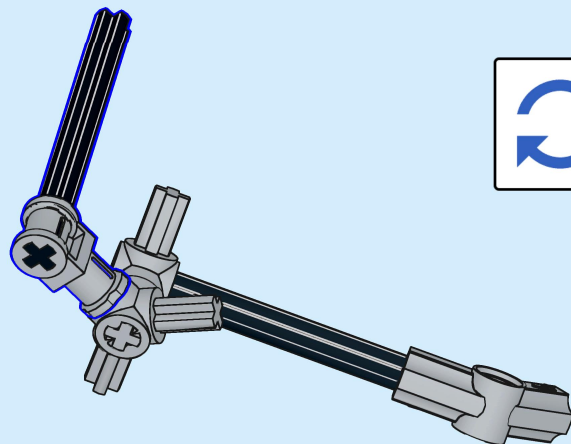
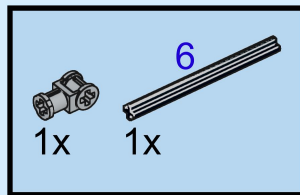
87



88

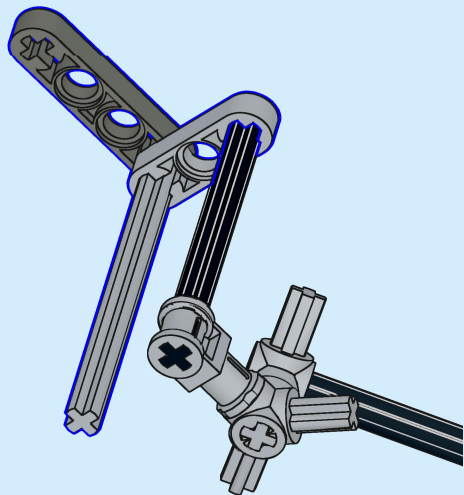
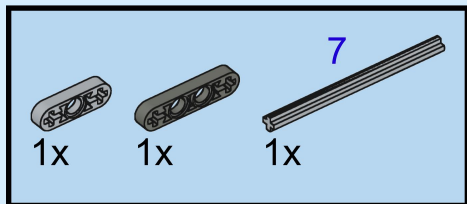


89

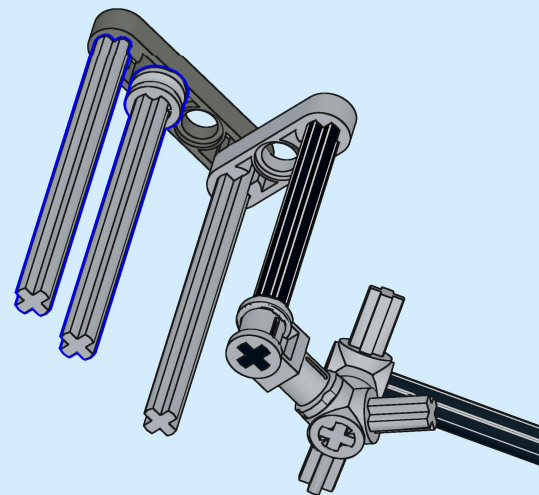
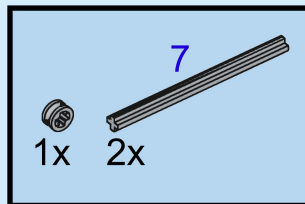




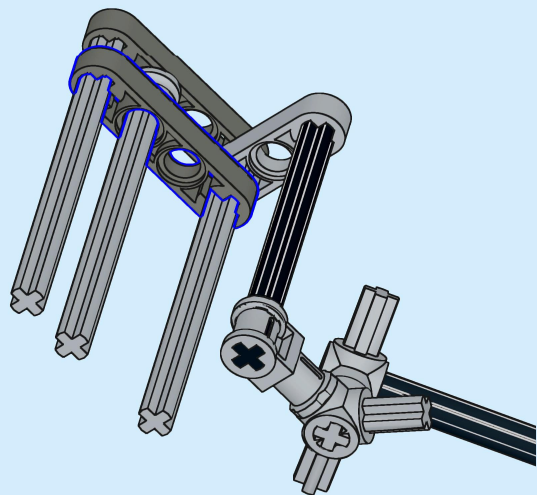
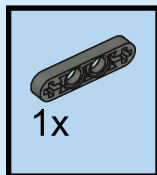
90



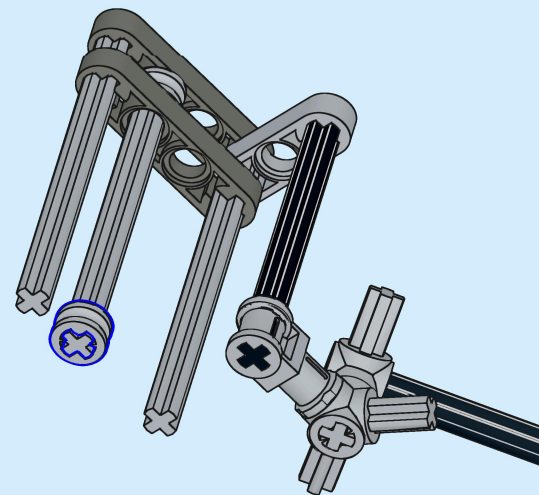
91



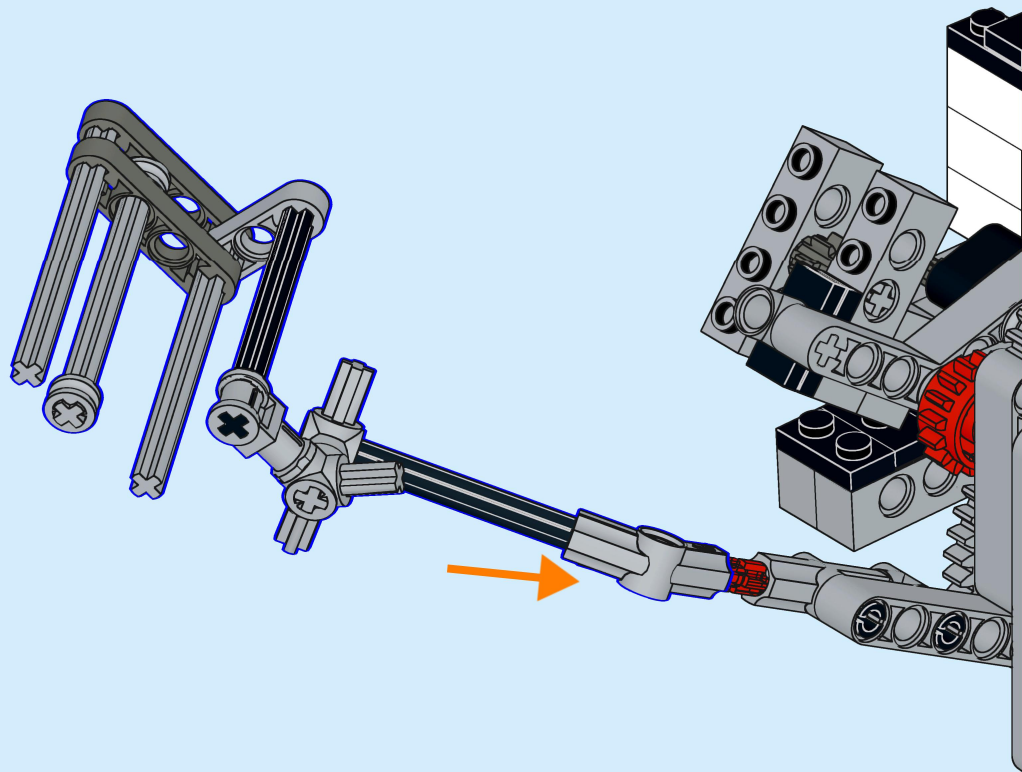
92



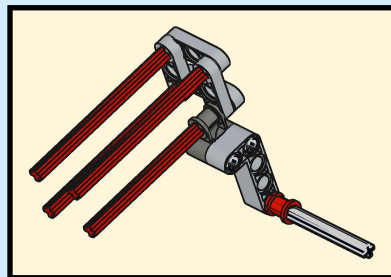
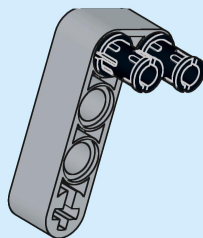
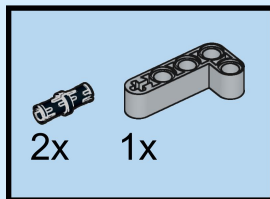
93



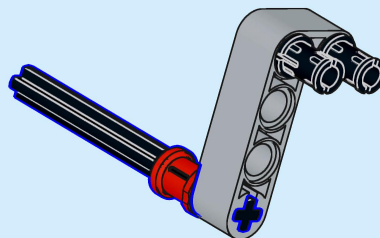
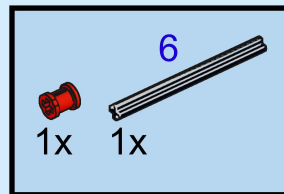
94



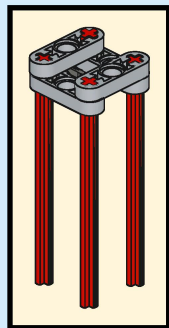
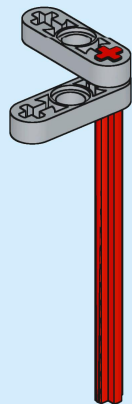
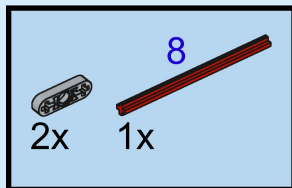
95



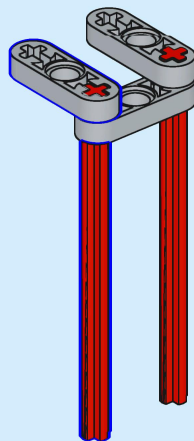
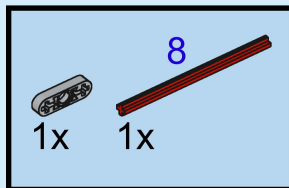
96



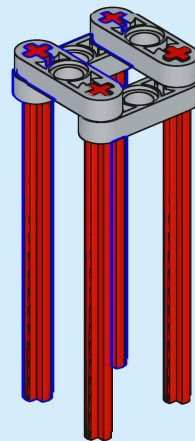
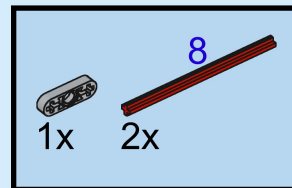
97



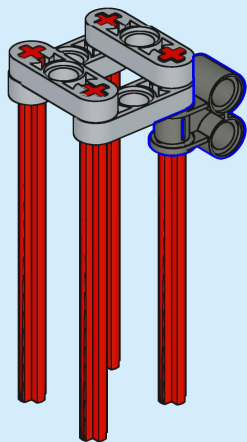
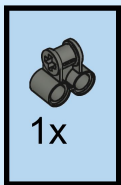
98



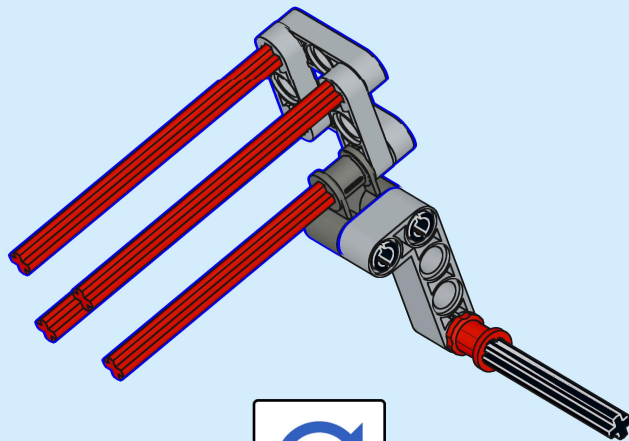
99





100

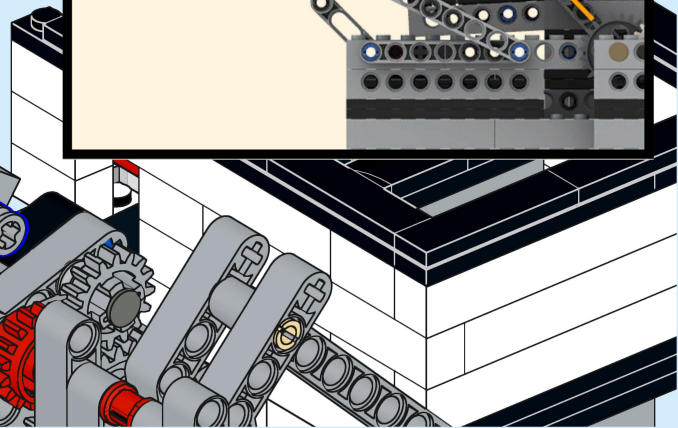
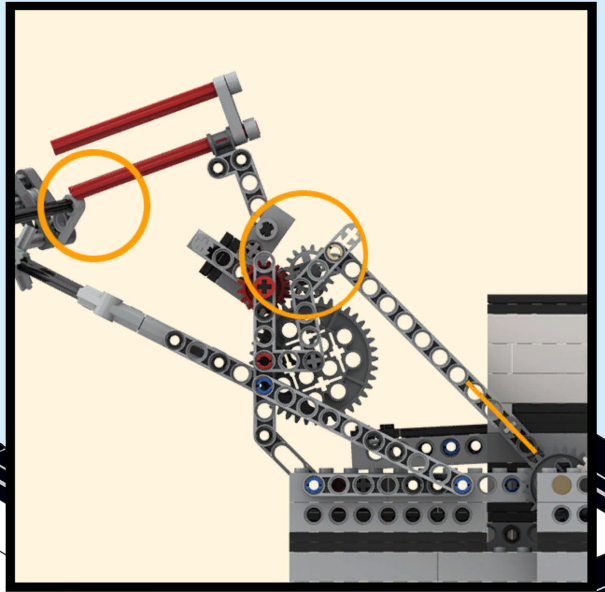
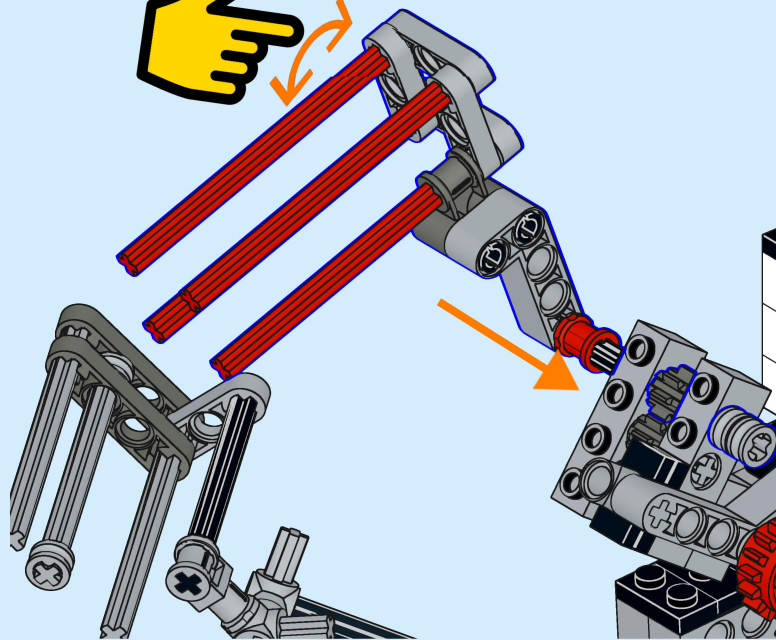


101

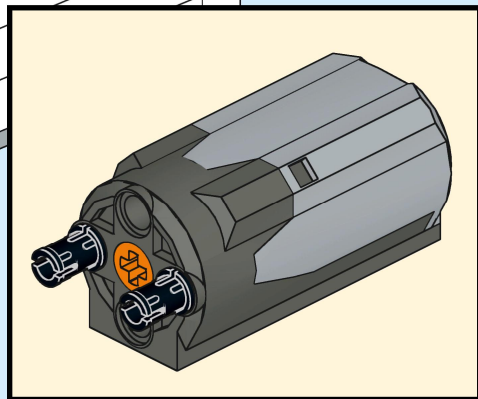
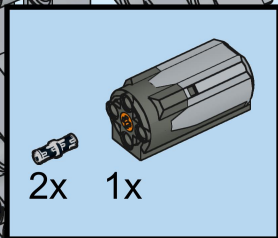
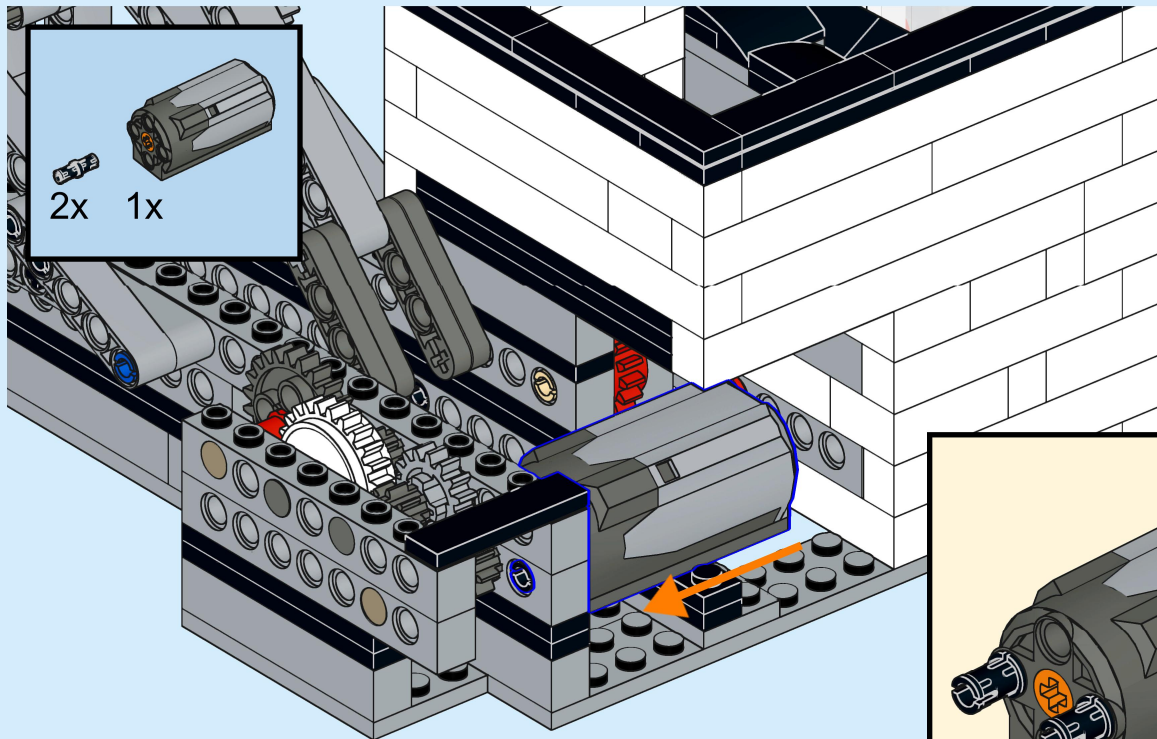


# 102

	
2x	1x



103








7x  
3023, 11



1x  
99781, 11

6  
  
5x  
3706, 11



5x  
10928, 85



1x  
3648, 85



1x  
32039, 86




6x  
6632, 86



2x  
60483, 11



4x  
15068, 11



14x  
3460, 11



1x  
32291, 85

8  
  
1x  
55013, 85



2x  
22961, 86




5x  
32523, 86



22x  
2780, 11



7x  
2431, 11



2x  
3034, 11




2x  
11214, 85



6x  
4265c, 86




2x  
3700, 86




5x  
94925, 86



2x  
15573, 11



12x  
3666, 11

12  
  
1x  
3708, 11




6x  
32449, 85



2x  
6541, 86



4x  
3022, 86



1x  
32034, 86




9x  
85984, 11




5x  
6636, 11




4x  
87083, 85



3x  
3673, 86

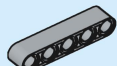
3  
  
2x  
4519, 86



1x  
32192, 86



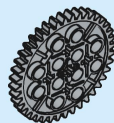
2x  
57585, 86



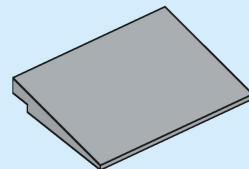
2x  
32316, 86



4x  
44294, 86



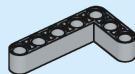
1x  
3649, 86



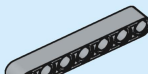
1x  
4515, 86



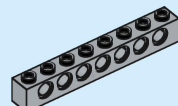
4x  
3701, 86



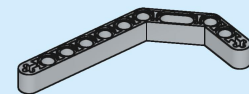
4x  
32526, 86



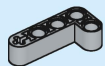
3x  
32524, 86



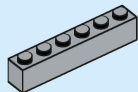
7x  
3702, 86



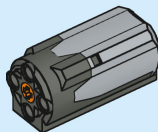
2x  
32009, 86



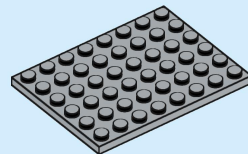
1x  
32140, 86



6x  
3009, 86



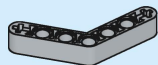
1x  
58120c01, 86



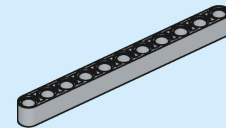
2x  
3036, 86



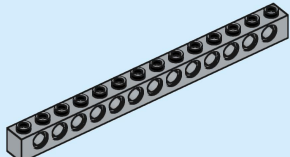
5x  
3001, 86



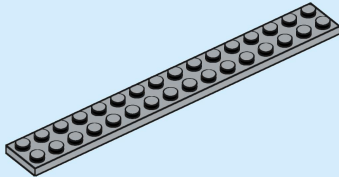
3x  
32348, 86



2x  
32525, 86



5x  
32018, 86



3x  
4282, 86



14x  
3005, 1



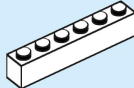
20x  
3004, 1



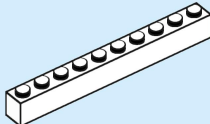
6x  
3002, 1



1x  
60c01, 1



12x  
3009, 1



9x  
6111, 1



10x  
3713, 5

2



2x  
32062, 5



1x  
6538c, 5



2x  
18946, 5



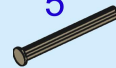
2x  
32054, 5

8



4x  
3707, 5

5



2x  
15462, 69



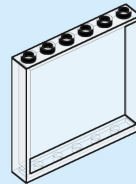
2x  
32556, 2



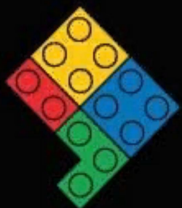
2x  
43093, 7



7x  
6558, 7

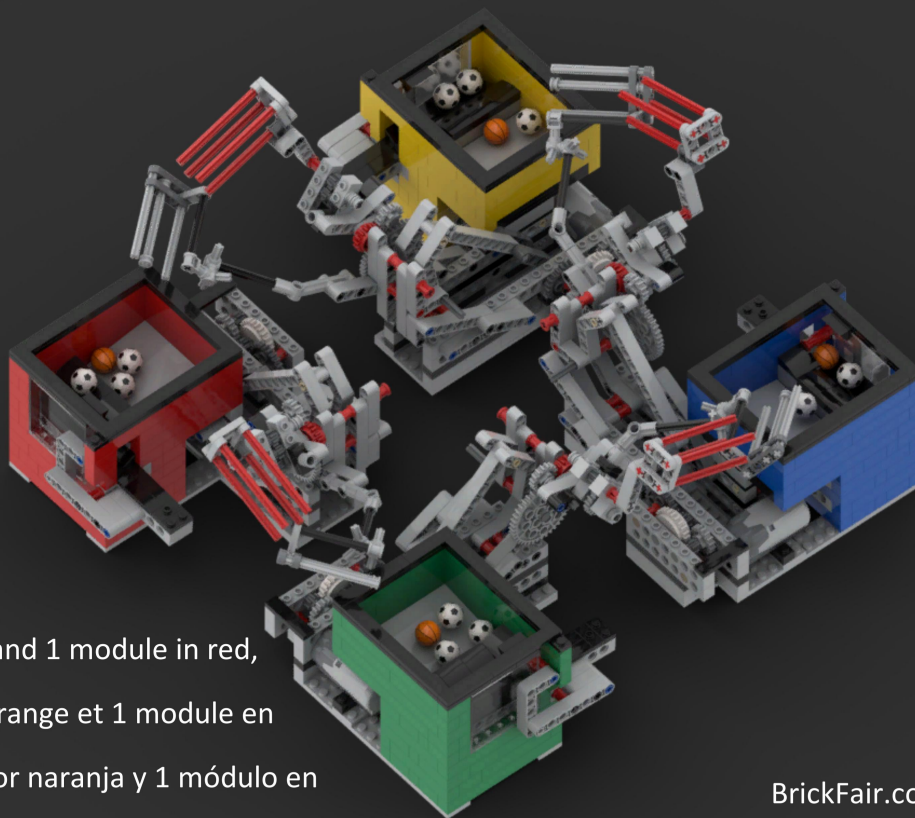


1x  
59349, 12



**BRICKFAIR**

BF-GBC002



Kit includes 2 orange balls and 1 module in red, yellow, green, or blue.

Le kit comprend 2 boules orange et 1 module en rouge, jaune, vert ou bleu.

El kit incluye 2 bolas de color naranja y 1 módulo en rojo, amarillo, verde o azul.

BrickFair.com